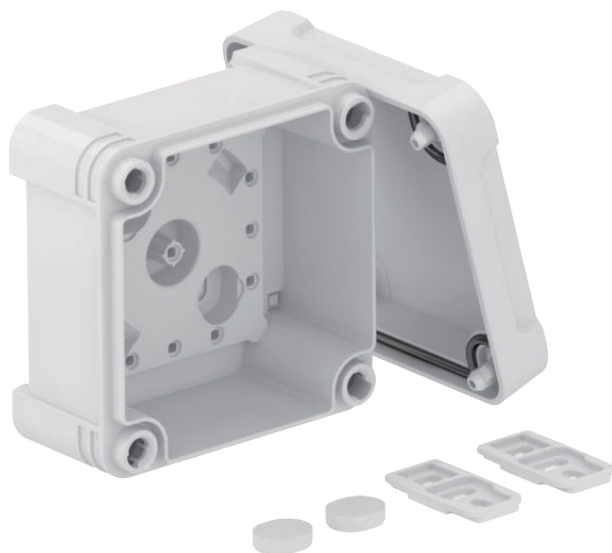


# Technical data sheet

## Empty housing X 01

Item no. 2005450



Junction box for the connection of cables and lines indoors and in outdoor areas. Square design without entries. Suitable for wall and ceiling mounting with the option to fasten outside, inside or to mount via the corner domes. Particularly impact resistant with IK08. Cover with quick lock, sealable. Made from halogen-free and UV-resistant materials.

Junction box according to DIN EN 60670. Impact resistance IK08 according to DIN EN 50102. Protection rating IP67 according to DIN EN 60529.



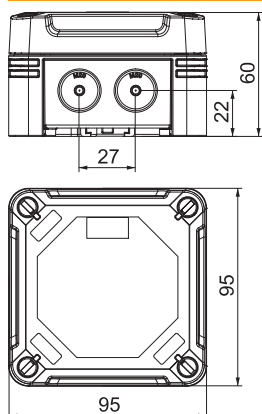
**PC** Polycarbonate

Additional product text, instruction	The junction box is tested according to DIN EN 60670-1, VDE 0606-1:2014 (EN 60670-1:2005 + Cor.:2007 + Cor.:2010 + A1:2013) and DIN EN 60670-22, VDE 0606-22:2007 (EN 60670-22:2006).
Additional product text 1	The junction box fulfils the protection type test requirements to IP 67 according to DIN EN 60529, VDE0470-1:2014 (EN 60529/AC:2016).

### Master data

Item no.	2005450
Type	X01C LGR
Description 1	Empty Enclosure
Dimension	95x95x60
Colour	Light grey
RAL number	7035
Material	Polycarbonate
Material symbol	PC
Smallest sales unit (VG)	1 Piece
Weight	15,60 kg/100 pc.

### Technical data



Length	95,00 mm
Width	95,00 mm
Height	60,00 mm
Clear internal dimensions	85x85x45 mm
Dimension LxWxH	95x95x60 mm
Extension option	<input type="checkbox"/>
Cover fastening	Screwed
Shape	Square
Suitable for outdoor use	<input checked="" type="checkbox"/>
With cover	<input checked="" type="checkbox"/>
Installation type	On cable tray
Mounting type	Surface-mounted
Protection rating	IP67
Protection rating	IP 67
Protection rating IK code	IK08
Protection class	II
max. permitted ambient temperature	-25,00 - 65,00 °C

# Technical data sheet

Empty housing X 01

Item no. 2005450



## Technical data

Weatherproof