

Technical data sheet

Junction box T 350, plug-in seal

Item no. 2007125



Junction box for the connection of cables and lines indoors and in protected outdoor areas. Rectangular design with plug-in seals to the sides and knock-out entries in the bottom. Suitable for wall and ceiling mounting and on mounting panels. With the option to fasten inside and to mount via the corner domes. Cover with quick lock, sealable. Made from halogen-free materials. Junction box according to DIN EN 60670. Flame-resistant to DIN EN 60695/2/11, test temperature 650 °C. Impact resistance IK05 according to DIN EN 50102.



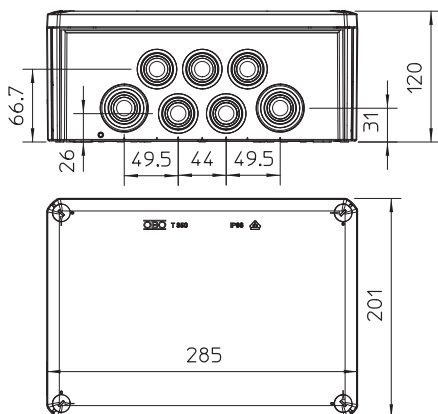
PP/GF Polypropylene, fibre-glass reinforced

Additional product text, instruction Standard version: flame-resistant, testing temperature 650 °C.
F version: highly flame-resistant, testing temperature 960 °C.

Master data

Item no.	2007125
Type	T 350
Description 1	Junction box
Description 2	with entries
Dimension	285x201x120
Colour	Light grey
RAL number	7035
Material	Polypropylene, fibre-glass reinforced
Material symbol	PP/GF
Smallest sales unit (VG)	1 Piece
Weight	63,00 kg/100 pc.

Technical data



Length	285,00 mm
Width	201,00 mm
Height	120,00 mm
Clear internal dimensions	267x182x110 mm
Dimension LxWxH	285x201x120 mm
Dimension	285x201x120 mm
Expandable	<input checked="" type="checkbox"/>
No. of entries	24
Type of entry	Cable
Type of entry	Plug-in seal
Type of housing penetration	Cutttable stepped membrane
Version	Standard
Measured insulation voltage Vi	500,00 V
Equipment	Without
Cover	Not transparent
Cover fastening	Screwed
Entries	16 x M32 8 x M40
Entry from rear	<input checked="" type="checkbox"/>
Explosion-tested version	<input type="checkbox"/>

Technical data sheet

Junction box T 350, plug-in seal

Item no. 2007125



Technical data

Flame-resistant	acc. to VDE 0471/DIN 695 Part 2-1, test temperature 650°C
Shape	Rectangular
Function maintenance (ETIM)	Without
For Ex zone	Without
For Ex zone gas	Without
For Ex zone dust	Without
Fibre-glass reinforced	<input type="checkbox"/>
Halogen-free	<input checked="" type="checkbox"/>
With screening	<input type="checkbox"/>
with lid	With four lid quick-release locks
With cover	<input checked="" type="checkbox"/>
Installation type	Wall/ceiling mounting
Mounting type	Wall/ceiling mounting
Nominal cross section	35,00 mm ²
Nominal voltage	500,00 V
Protection rating	IP66
Protection rating	IP66
Protection rating IK code	IK05.
Sealable	<input checked="" type="checkbox"/>
max. permitted ambient temperature	-5,00 - 60,00 °C
Transparent lid	<input type="checkbox"/>
Weatherproof	<input type="checkbox"/>