

Technical data sheet

Beam clamp, multifunctional

Item no. 1485148



The multifunctional beam clamp is suitable for fastening cables, protective pipes and cable sections on steel girders of any size (one clip for every application). Here, the beam clamp is very versatile thanks to various fastening options. Mounting of the beam clamp is quick and efficient, with no need for welding or drilling. It is simply mounted by hammering or pushing into place. The beam clamp can be used in both internal and external areas.

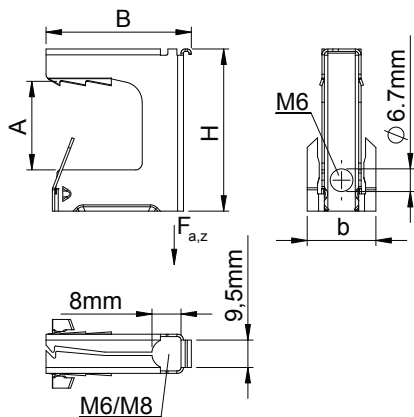


St Steel
ZDM Galvanised, MAGNI 565

Master data

Item no.	1485148
Type	TK MULTI 24
Description 1	Beam clamp
Description 2	multifunctional
Dimension	16-24mm
Material	Steel
Material symbol	St
Surface	Galvanised, MAGNI 565
Surface symbol	ZDM
Smallest sales unit (VG)	50 Piece
Weight	0,17 kg/100 pc.

Technical data



Width	42,00 mm
Height	48,00 mm
Dimension A	24,00 mm
Dimension B	42,00 mm
Dimension D	12,00 mm
Dimension E	38,20 mm
Dimension F	40,00 mm
Dimension G	28
Dimension H	48,00 mm
Connection type/component	Other
Fastening type	Clamp
Breaking load	1,20 kN
Breaking load	1.200,00 N
Flangethickness	16,00 - 24,00 mm
Hinge, adjustable	<input type="checkbox"/>
Hinged	<input type="checkbox"/>