

Technical data sheet

MS4182 mounting rail, slot 22 mm, double, perforated

Item no. 1122682



Heavy-duty Unistrut with continuous perforation in base, slot width 22 mm. Double version, i.e. two profile rails are interconnected on the base (welded).

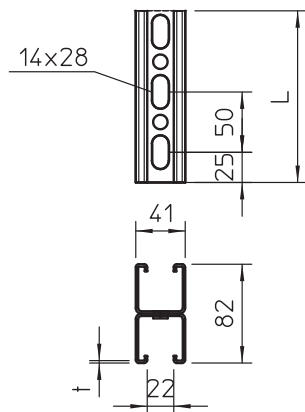


A2 Stainless steel, rustproof 1.4301
2B Bright, reworked

Master data

Item no.	1122682
Type	MS4182P3000A2
Description 1	Profile rail
Description 2	perforated, slot 22mm
Dimension	3000x41x82
Material	Stainless steel, material no. 1.4301
Material symbol	A2
Surface	Bright, reworked
Surface symbol	2B
Smallest sales unit (VG)	3 m
Weight	402,20 kg/100 m

Technical data



Length	3.000,00 mm
Width	41,00 mm
Height	82,00 mm
Dimension L	3.000,00 mm
Breakable	<input type="checkbox"/>
lampDimension WxH	41x82 mm
Version	Double profile
Type of perforation	Perforated bar
Suitable for maintaining electrical function	<input type="checkbox"/>
Hole size	14x28 mm
Material thickness	2,00 mm
With tothing	<input checked="" type="checkbox"/>
Profile shape	C profile
Slot width	22,00 mm
Static value A	
Static value ly	
Static value lz	
Static value Wy	
Static value Wz	