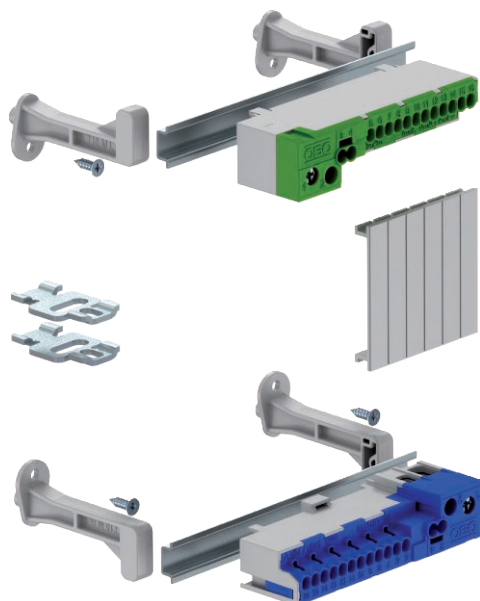


# Technical data sheet

## Terminal strip set with screwless terminals for SDB 03

Item no. 2008910



Terminal strip set for the small distributors of the SDB series. The sets can be used to expand and equip the empty small distributors of the SDB 03... type series.

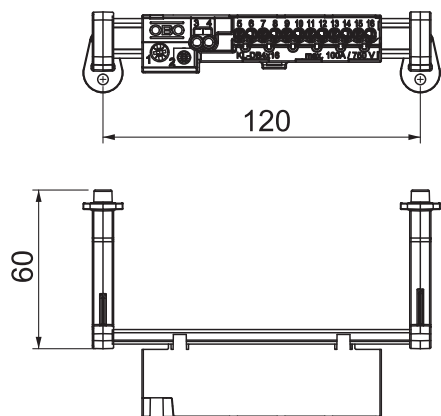


Additional product text, instruction	The terminal strip set with screwless terminals contains:
Additional product text 1	Mounting instructions; cover strip; hat rail with corresponding support and fastening material; one protective conductor terminal and one neutral conductor terminal each with two 16/25 mm <sup>2</sup> screw terminals and 2x 4 mm <sup>2</sup> and 12x 2.5 mm <sup>2</sup> screwless terminals

### Master data

Item no.	2008910
Type	KLS-SDB 03S
Description 1	Terminal strip pack
Description 2	with screwless terminals
Dimension	82x15x4
Smallest sales unit (VG)	1 Piece
Weight	13,83 kg/100 pc.

### Technical data



Length	122,00 mm
Width	15,00 mm
Height	4,00 mm
Nominal cross section	6,00 - 16,00 mm <sup>2</sup>
Nominal voltage	450,00 V
Nominal current	100,00 A