

# Technical data sheet

## Beam clamp, with cable tie

Item no. 1483649



Support clamp for knocking in with cable tie as individual fastening solution on the support.

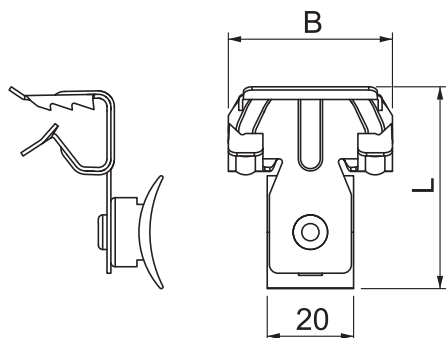


St	Steel
ZL	Zinc slat

### Master data

Item no.	1483649
Type	BCCT 8-14 L365
Description 1	Beam clamp
Description 2	with wire strip 365mm
Dimension	8-14mm
Material	Steel
Material symbol	St
Surface	Zinc slat
Surface symbol	ZL
Smallest sales unit (VG)	50 Piece
Weight	2,20 kg/100 pc.

### Technical data



Dimension A	7,50 mm
Connection type/component	Pipe/cable
Max. D	110,00 Ø
Fastening type	Clamp
Breaking load	220,00 N
Flangethickness	8,00 - 14,00 mm
Ribbon cable length	365,00 mm
Hinge, adjustable	<input type="checkbox"/>
Hinged	<input type="checkbox"/>