

# Technical data sheet

## Clamp clip, single, plastic pressure trough

Item no. 1178571



Suitable for all C profile rails with slot width 18 mm and 22 mm.  
Polypropylene pressure sleeve, halogen-free, colour light grey RAL 7035.



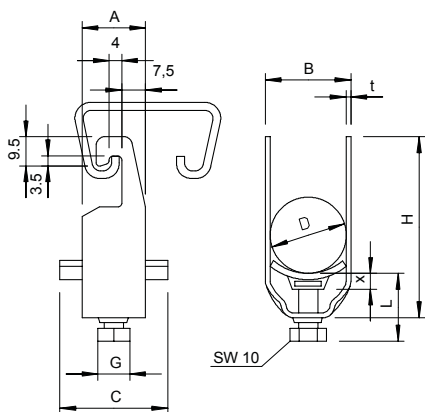
**VA** Stainless steel, rustproof 1.4301

**2B** Bright, reworked

### Master data

Item no.	1178571
Type	2056U 52 A2
Description 1	Clamp clip
Dimension	46-52mm
Material	Stainless steel, material no. 1.4301
Material symbol	A2
Surface	Bright, reworked
Surface symbol	2B
Smallest sales unit (VG)	25 Piece
Weight	11,20 kg/100 pc.

### Technical data



Dimension A	20,00 mm
Dimension B	57,00 mm
Dimension C	40 mm
Dimension G	M8
Dimension H	85,00 mm
Dimension L	38,50 mm
Dimension t	2,00 mm
Dimension x	6,50 mm
Number of cables/pipes	1
Max. tightening torque	5,00 Nm
for 1 cable H	85,00 mm
for 1 cable L	38,50 mm
for pipe diameter	50 mm
for rail with slot width	18,00 - 22,00 mm
Halogen-free	<input checked="" type="checkbox"/>
With plastic trough	<input checked="" type="checkbox"/>
With metal trough	<input type="checkbox"/>
Mounting type	Profile rail
Impact-resistant	<input type="checkbox"/>
Clamping range D	46,00 - 52,00 mm

# Technical data sheet

Clamp clip, single, plastic pressure trough

Item no. 1178571



## Technical data

Surface addition	Untreated
Material addition	Rustproof steel