

Technical data sheet

Clamp clip, single, plastic pressure trough

Item no. 1178547



Suitable for all C profile rails with slot width 18 mm and 22 mm.
Polypropylene pressure sleeve, halogen-free, colour light grey RAL 7035.



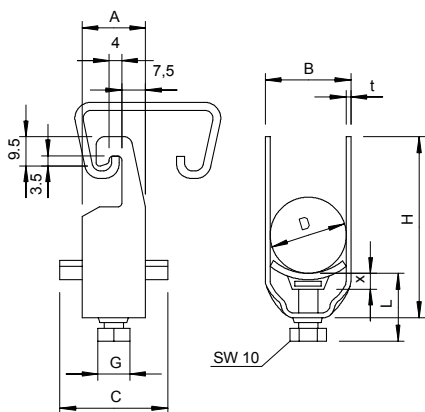
VA Stainless steel, rustproof 1.4301

2B Bright, reworked

Master data

| | |
|--------------------------|--------------------------------------|
| Item no. | 1178547 |
| Type | 2056U 34 A2 |
| Description 1 | Clamp clip |
| Dimension | 28-34mm |
| Material | Stainless steel, material no. 1.4301 |
| Material symbol | A2 |
| Surface | Bright, reworked |
| Surface symbol | 2B |
| Smallest sales unit (VG) | 50 Piece |
| Weight | 7,20 kg/100 pc. |

Technical data



| | |
|--------------------------------------|-------------------------------------|
| Dimension A | 20,00 mm |
| Dimension B | 39,00 mm |
| Dimension C | 34 mm |
| Dimension G | M8 |
| Dimension H | 67,00 mm |
| Dimension L | 37,50 mm |
| Dimension t | 2,00 mm |
| Dimension x | 5,50 mm |
| Number of cables/pipes | 1 |
| Max. tightening torque for 1 cable H | 5,00 Nm |
| for 1 cable L | 67,00 mm |
| for pipe diameter | 37,50 mm |
| for rail with slot width | 32 mm |
| Halogen-free | <input checked="" type="checkbox"/> |
| With plastic trough | <input checked="" type="checkbox"/> |
| With metal trough | <input type="checkbox"/> |
| Mounting type | Profile rail |
| Impact-resistant | <input type="checkbox"/> |
| Clamping range D | 18,00 - 22,00 mm |
| | 28,00 - 34,00 mm |

Technical data sheet

Clamp clip, single, plastic pressure trough

Item no. 1178547



Technical data

| | |
|-------------------|-----------------|
| Surface addition | Untreated |
| Material addition | Rustproof steel |