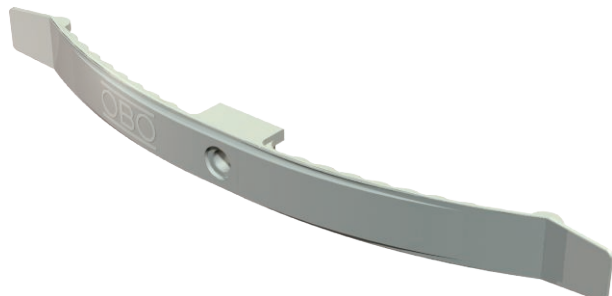


Technical data sheet

Pressure clip for 16 cables, connectable

Item no. 2205053



The quicker, the better – this also applies to installations in false ceilings. OBO pressure clips simplify the routing of cables under the ceiling. OBO pressure clip is the perfect installation partner for areas in which every centimetre counts. Mounting is carried out simply using an M6 knock-in anchor. The striking surface on the top guarantees high striking accuracy in the screw. After assembly, the cables are passed under the clips in a "lasso technique" hand movement – and that's all there is to it! The pressure clip is made of high-quality polyamide.



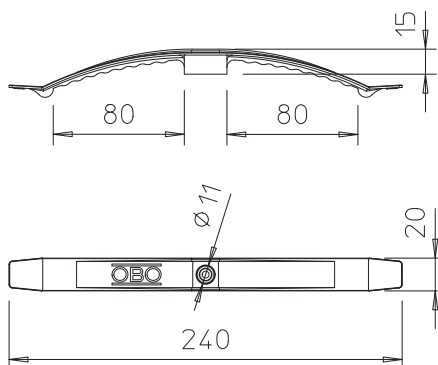
PA Polyamide

Additional product text, instruction	Stone grey version: Flame-resistant version, especially for use in false ceilings. Thermoplast. Polyester, stone grey RAL 7030, flame-resistant to VDE 0471/DIN IEC 695 Part 2-1, test temperature 960 °C, respectively V-0 to UL 94, halogen-free. Clamping height 9 mm–13 mm with spacer. Fastening hole: 7 mm Ø.
Additional product text 1	2033 for max. 16 cables NYM 3 x 1.5 mm ²

Master data

Item no.	2205053
Type	2033 AS
Description 1	Pressure clip
Description 2	connectable
Dimension	2x8 NYM3x1,5
Colour	Light grey
RAL number	7035
Material	Polyamide
Material symbol	PA
Smallest sales unit (VG)	25 Piece
Weight	2,10 kg/100 pc.

Technical data



No. of conductors NYM 3 x 1.5	16
Flame-resistant version	<input type="checkbox"/>
Suitable for maintaining electrical function	<input type="checkbox"/>
Halogen-free	<input checked="" type="checkbox"/>
With anchor	<input type="checkbox"/>