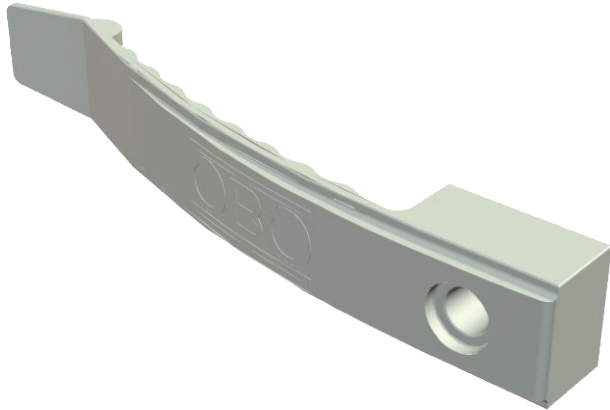


Technical data sheet

Pressure clip for 8 cables, connectable

Item no. 2205052



Version suitable for fixing with gas pressure nail gun (i.e. by SPIT), for example for use on intermediate ceilings and partition walls.
Clamping height: 9 mm, with spacer 13 mm.
Fastening hole: 7 mm Ø.



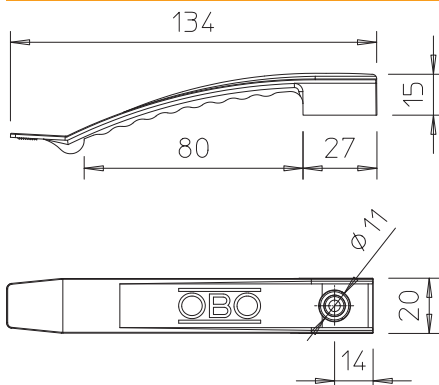
PA Polyamide

Additional product text 1 | 2032 for max. 8 cables NYM 3 x 1.5 mm²

Master data

Item no.	2205052
Type	2032 AS
Description 1	Pressure clip
Description 2	connectable
Dimension	1x8 NYM3x1,5
Colour	Light grey
RAL number	7035
Material	Polyamide
Material symbol	PA
Smallest sales unit (VG)	50 Piece
Weight	1,30 kg/100 pc.

Technical data



No. of conductors NYM 3 x 1.5	8
Flame-resistant version	<input type="checkbox"/>
Suitable for maintaining electrical function	<input type="checkbox"/>
Halogen-free	<input checked="" type="checkbox"/>
With anchor	<input type="checkbox"/>