

Technical data sheet

Locknut, metric thread

Item no. 2049112



Locknut DIN 46319, with metric thread IEC 423.

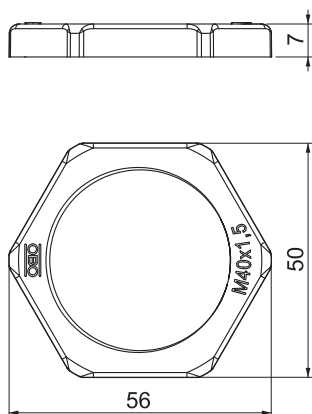


PA Polyamide

Master data

Item no.	2049112
Type	116 M40 SW PA
Description 1	Locknut
Dimension	M40
Colour	Black
Material	Polyamide
Material symbol	PA
Smallest sales unit (VG)	25 Piece
Weight	0,60 kg/100 pc.

Technical data



Dimension E	56,00 mm
Dimension L	7,00 mm
WAF	50,00 mm
Thread type	Metric
Thread	M40x1,5
Nominal thread size metric/PG	40
Fibre-glass reinforced	<input type="checkbox"/>
Halogen-free	<input checked="" type="checkbox"/>
Impact-resistant	<input type="checkbox"/>