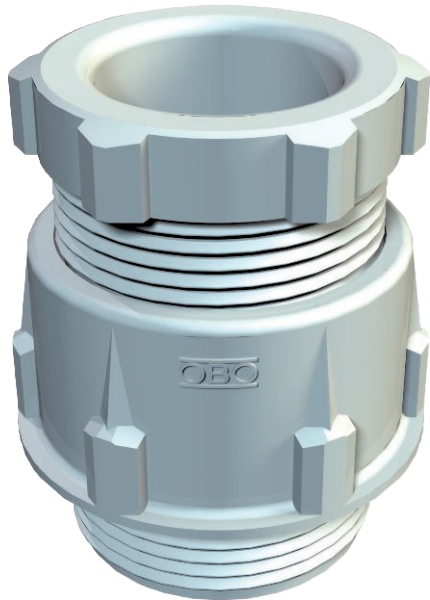


Technical data sheet

Cone cable gland, PG thread, light grey

Item no. 2035995



With metric connecting thread to IEC 423 robust cap-nut cable gland with large sealing area. Strain relief, wringing protection and tightness over the whole clamping area. Sealing ring made of polychloroprene/acrylonitrile butadiene rubber. Moulded shaped sealing lip on intermediate support, thus no connection thread sealing ring required, VDE-tested to DIN EN 50262, . Temperature range -20 °C to +65 °C.



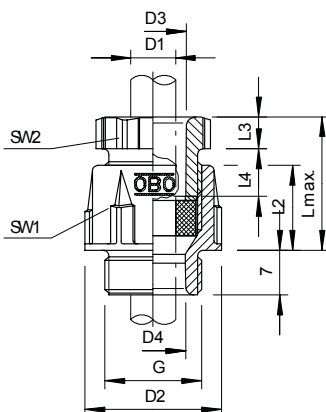
PS Polystyrene

Additional product text 1 Impact-resistant

Master data

Item no.	2035995
Type	106 G PG16 PS
Description 1	Cable gland
Description 2	with large sealing ring
Dimension	PG16
Colour	Light grey
RAL number	7035
Material	Polystyrene
Material symbol	PS
Smallest sales unit (VG)	50 Piece
Weight	1,05 kg/100 pc.

Technical data



Sealing range D	9,00 - 12,50 mm
explosion-proof	<input type="checkbox"/>
Thread	Pg 16
Halogen-free	<input type="checkbox"/>
Impact-resistant	<input checked="" type="checkbox"/>
Protection rating	IP54
max. permitted ambient temperature	-20,00 - 65,00 °C