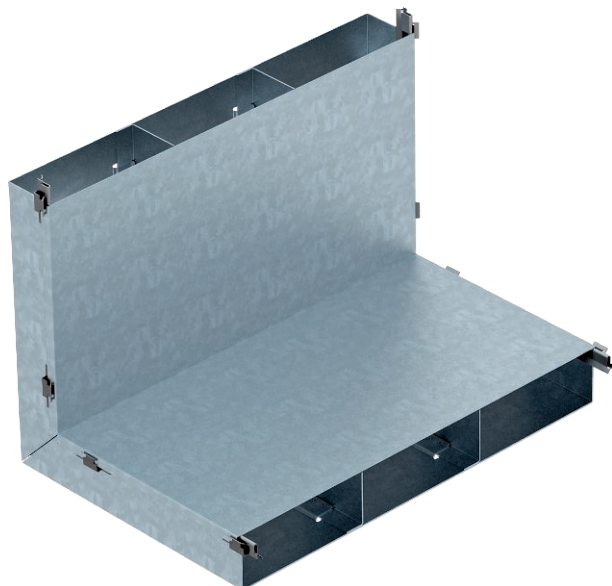


Technical data sheet

RFT vertical access box

Item no. 7428317



Connection unit for raised floor trunking system of version "Header".

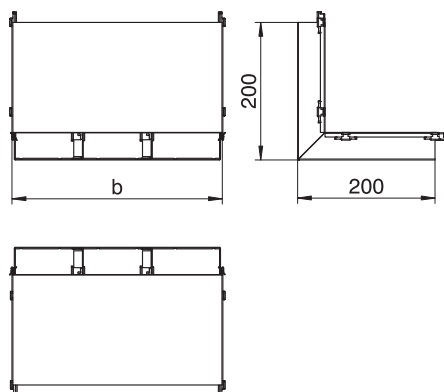


- St** Steel
- FS** Strip galvanised

Master data

Item no.	7428317
Type	VAB RFT 300
Description 1	Access box
Description 2	for RFT header
Dimension	300x40
Material	Steel
Material symbol	St
Surface	Strip galvanised
Surface to DIN	DIN EN 10346
Surface symbol	FS
Weight	165,10 kg/100 pc.

Technical data



Width	300,00 mm
Dimension b	300,00 mm
Trunking height	40,00 mm