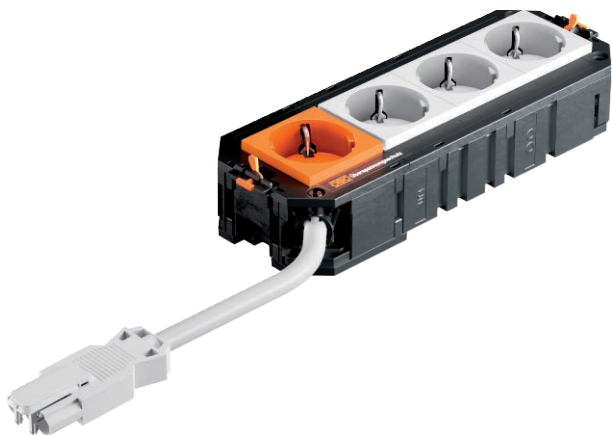


# Technical data sheet

UTC4 with 3+1 protective contact sockets, 1 socket with surge protection  
Item no. 7404686



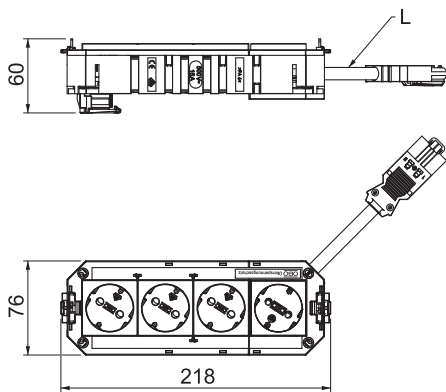
Ready-for-connection universal support UTC4 with halogen-free connection cable. It possesses three pre-installed 33° protective contact sockets in white and one 33° protective contact socket in pure orange of 16 A. The protective contact socket in pure orange is protected by a type 3 surge protection module according to DIN EN 61643-11. Suitable for VL connection cables and device installation units of nominal size R7, R9 and 9.



## Master data

Item no.	7404686
Type	UTC4 G W30R1 Ü
Description 1	Universal support ConnectGST18
Description 2	VDE,trip.white,sing.orange,SPD
Dimension	208x76x45
Smallest sales unit (VG)	1 Piece
Weight	33,53 kg/100 pc.

## Technical data



Length	218,00 mm
Width	76,00 mm
Height	60,00 mm
Number of connections	2
Version for	Triple pure white/ single pure orange
Cable length	300,00 mm
Line cross-section	2,50 mm <sup>2</sup>
System length	208,00 mm
Socket combination	Other
Plug-in system	GST18
Plug connector system, system-specific	<input checked="" type="checkbox"/>
Circuit	2
Surge protection	<input checked="" type="checkbox"/>