

Technical data sheet

UTC4 with 4 protective contact sockets

Item no. 7404672



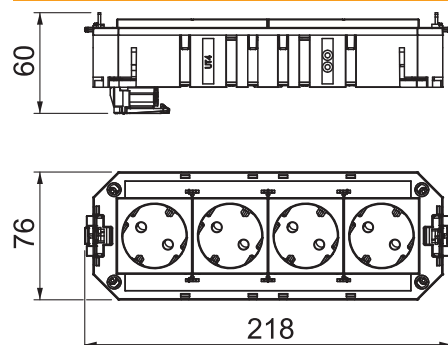
The ready-for-connection UTC4 universal support possesses four pre-installed 33° protective contact sockets of 16 A. Suitable for VL connection cables and device installation units of nominal size R7, R9 and 9.



Master data

Item no.	7404672
Type	UTC4 G OR4
Description 1	Universal support ConnectGST18
Description 2	VDE, 4-way orange
Dimension	208x76x45
Smallest sales unit (VG)	1 Piece
Weight	26,73 kg/100 pc.

Technical data



Length	218,00 mm
Width	76,00 mm
Height	60,00 mm
Number of connections	1
Version for	4x pure orange
Length of the supply cable	0,00 m
Cable length	0,00 mm
Line cross-section	2,50 mm ²
System length	208,00 mm
Socket combination	2x double
Plug-in system	GST18
Plug connector system, system-specific	<input checked="" type="checkbox"/>
Circuit	1
Surge protection	<input type="checkbox"/>