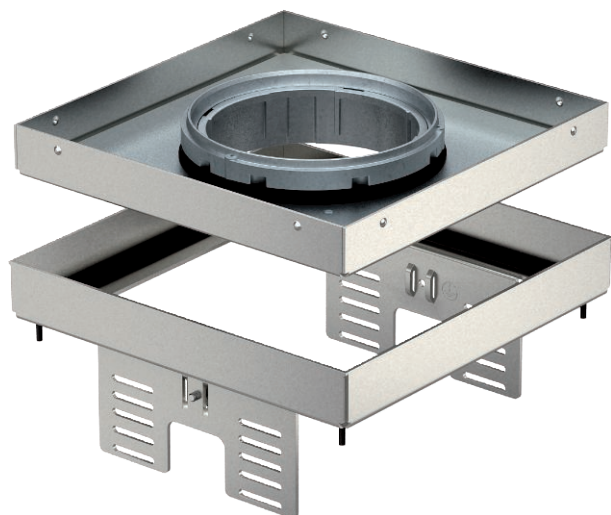


Technical data sheet

Height-adjustable, decouplable cassette for tube body,
RKFNUZD3, stainless steel
Item no. 7409374



Height-adjustable cassette, decoupled from the floor, of nominal size 4, for tube bodies, for the installation of accessories in dry or wet-cleaned floors for indoor use, for mounting in underfloor boxes UZD250-3 or UZD350-3, either in conjunction with a mounting lid DUG./4 or in UGD250-3/4 or UGD350-3/4. Mounting takes place using height adjustment brackets (order separately) in the aluminium frame profile of the underfloor boxes.

Height-adjustable cassette for tube body, 2-compartment. 2 APMT2 cover plates can be installed. For the installation of 2 UT3 universal supports for 4 individual installation devices with support ring/support clamp or 6 Modul 45 devices.



VA Stainless steel, rustproof 1.4301

Master data

Item no.	7409374
Type	RKFN2 UZD3 4VS25
Description 1	Square cassette
Description 2	for tube
Dimension	200x200mm
Material	Stainless steel, material no. 1.4301
Material symbol	A2
Smallest sales unit (VG)	1 Piece
Weight	202,00 kg/100 pc.

Technical data

Floor covering thickness	25,00 mm
Floor height	95 mm
Number of installable devices	6
Number of cable outlets	1
Version for	Square
Cable outlet version	Lowerable tube body
Floor care	Wet
Installation depth	95,00 mm
Decouplable	<input checked="" type="checkbox"/>
Device support to accept mounting boxes	<input type="checkbox"/>
Nominal size for device installation units	4
Suitable for raised floor installation	<input checked="" type="checkbox"/>
Suitable for cavity floor installation	<input checked="" type="checkbox"/>
Suitable for underfloor box	250/350
Opening mechanism	Handle
Approvals	
Schwerlastausführung	<input type="checkbox"/>
Typ des Einbausystems	UT3

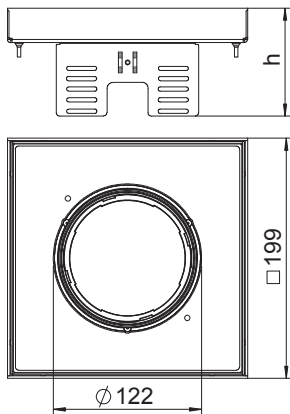
Technical data sheet

Height-adjustable, decouplable cassette for tube body,
RKFNUZD3, stainless steel
Item no. 7409374



Technical data

Dimensions



Dimension h | 95,00 mm