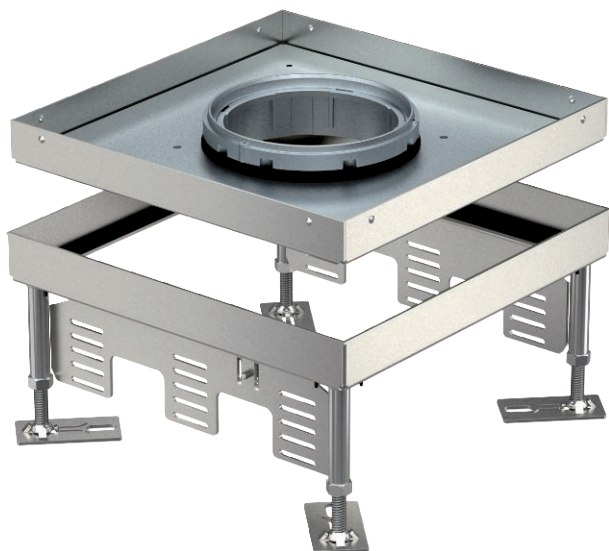


# Technical data sheet

Height-adjustable cassette for tube body, RKFN,  
stainless steel  
Item no. 7409370



Height-adjustable cassette of nominal size 9 for tube body for installation of accessories in dry or wet-cleaned floors for indoor use .

Height-adjustable cassette for tube body, 3-compartment. 3 APMT5 cover plates can be installed. For the installation of 3 UT4 universal supports for 9 individual installation devices with support ring/support clamp or 12 Modul 45 devices.



VA Stainless steel, rustproof 1.4301

## Master data

Item no.	7409370
Type	RKFN2 9 VS 25
Description 1	Square cassette
Description 2	for tube
Dimension	243x243mm
Material	Stainless steel, material no. 1.4301
Material symbol	A2
Smallest sales unit (VG)	1 Piece
Weight	501,00 kg/100 pc.

## Technical data

Floor covering thickness	25,00 mm
Floor height	110-155 mm
Number of installable devices	12
Number of mounting boxes	3
Number of cable outlets	1
Version for	Square
Cable outlet version	Lowerable tube body
Floor care	Wet
Installation depth	110,00 mm
Decouplable	<input type="checkbox"/>
Device support to accept mounting boxes	<input checked="" type="checkbox"/>
Nominal size for device installation units	9
Suitable for raised floor installation	<input checked="" type="checkbox"/>
Suitable for cavity floor installation	<input checked="" type="checkbox"/>
Suitable for underfloor box	250/350
Height-adjustment range	110,00 - 155,00 mm
Opening mechanism	Handle
Approvals	
Schwerlastausführung	<input type="checkbox"/>
Typ des Einbausystems	UT4

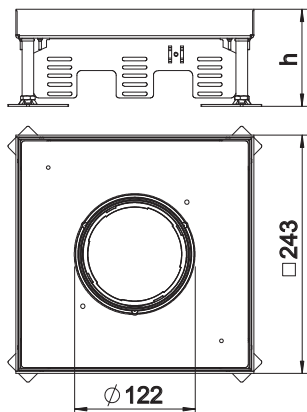
# Technical data sheet

Height-adjustable cassette for tube body, RKFN,  
stainless steel  
Item no. 7409370



## Technical data

### Dimensions



Dimension h	110,00 mm
Length of installation dimensions	244,00 mm
Wide installation dimensions	244,00 mm