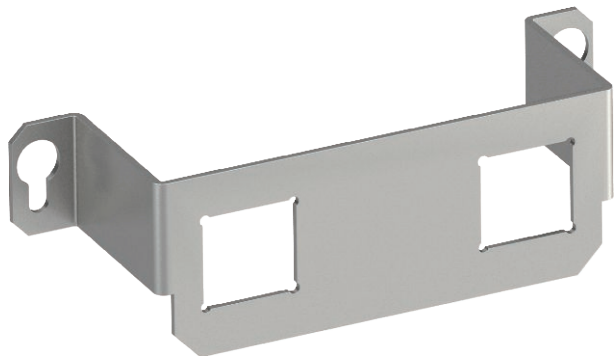


# Technical data sheet

## Mounting support, 2 x type LE

Item no. 7407679



Mounting support to accept two data connection modules of the following types: LexCom 125 and 250.  
Dimensions of a mounting opening in mm: 18.30 x 17.20.



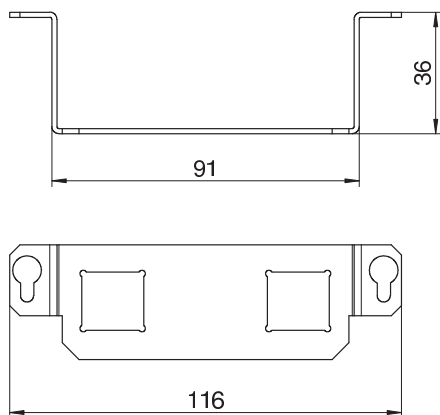
**A2** Stainless steel, rustproof 1.4301

Additional product text, instruction: Suitable for GE2 installation unit without floor covering recess.

### Master data

Item no.	7407679
Type	MTGE2 2LE
Description 1	Mounting plate
Description 2	with 2x hole pattern Type LE
Material	Stainless steel, material no. 1.4301
Material symbol	A2
Smallest sales unit (VG)	1,00 Piece
Weight	4,80 kg/100 pc.

### Technical data



Length	116,00 mm
Number of installable devices	2,00
Number of strain reliefs	0,00
Version	Support shape
Fastening type	Lock
Labelling panel	<input type="checkbox"/>
Floor covering protection frame	<input type="checkbox"/>
Floor plate	<input type="checkbox"/>
Lowerable to be flushfloor	<input type="checkbox"/>
Seal installation option	<input type="checkbox"/>
Installation opening for on-floor tank	<input type="checkbox"/>
Decouplable	<input type="checkbox"/>
Suitable for screed-flush closed underfloor ducts	<input checked="" type="checkbox"/>
Suitable for screed-covered underfloor ducts	<input checked="" type="checkbox"/>
Suitable for raised floor installation	<input checked="" type="checkbox"/>
Suitable for cavity floor installation	<input checked="" type="checkbox"/>

# Technical data sheet

## Mounting support, 2 x type LE

Item no. 7407679



### Technical data

Suitable for underfloor ducts	<input checked="" type="checkbox"/>
With floor covering recess	<input type="checkbox"/>
Schwerlastausführung	<input type="checkbox"/>
Depth	36,00 mm
Strain relief option	<input checked="" type="checkbox"/>