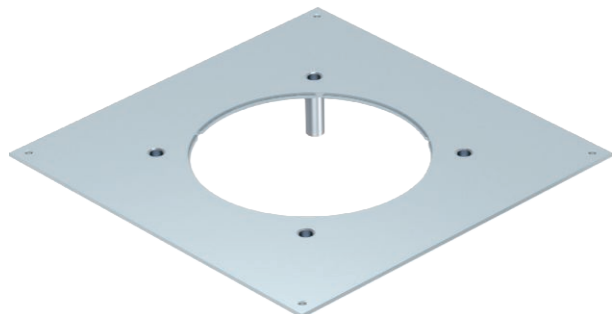


# Technical data sheet

## Heavy-duty mounting lid for 350-3, nominal size R4

Item no. 7401412



The heavy-duty mounting lid for the UZD350-3 underfloor box is suitable for the installation of a round heavy-duty cassette of nominal size R4. The installation opening is recessed by 3 mm and can be closed subsequently by a lid blanking plate.



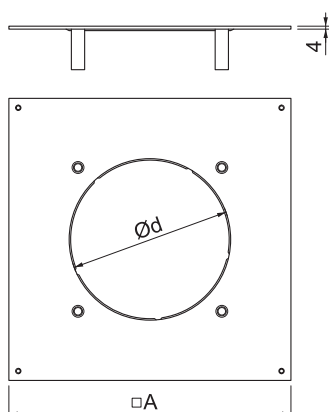
**St** Steel

**FS** Strip galvanised

### Master data

Item no.	7401412
Type	DUG 350-3 R4SL
Description 1	Heavy-duty mounting lid
Description 2	350-3 for nominal size R4
Dimension	382x382x59
Material	Steel
Material symbol	St
Surface	Strip galvanised
Surface to DIN	DIN EN 10346
Surface symbol	FS
Smallest sales unit (VG)	1 Piece
Weight	370,40 kg/100 pc.

### Technical data



Length	383,00 mm
Width	383,00 mm
Dimension A	383,00 mm
Dimension D Ø	215,00 mm
Mounting opening cover	<input type="checkbox"/>
Fastening type	Fastening with bolt
Plate thickness	4,00 mm
Floor care	Dry
Seal installation option	<input type="checkbox"/>
Installation opening for on-floor tank	<input type="checkbox"/>
Suitable for screed-covered underfloor ducts	<input checked="" type="checkbox"/>
Suitable for screed-flush closed underfloor ducts	<input type="checkbox"/>
Mounting opening	Round
Nominal size	350,00 mm
Nominal size for device installation units	R4
Schwerlastausführung	<input checked="" type="checkbox"/>