

# Technical data sheet

## Combination arrester V25, 2-pole + NPE 280 V

Item no. 5094460



Combination arrester, lightning and surge arrester type 1+2

- Complete unit consisting of upper part and base, pre-mounted and ready for connection
- Universally suitable for TN-S and TT systems
- Plug-in arrester with dynamic cut-off unit
- Visual function display
- Voltage protection level < 0.9 kV
- Encapsulated, non-extinguishing zinc oxide varistor arrester for use in standard distributor housings
- Labelled connections

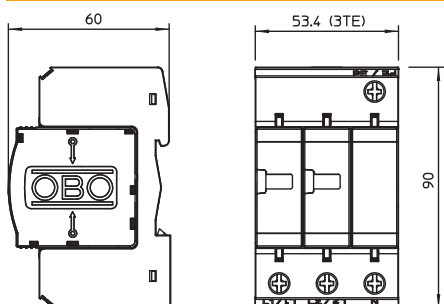
Application example: Buildings with open-wire power supply or for setting up lightning protection equipotential bonding in residential buildings.



Additional product text 1

\* Complete = Plug-in arrester and base

### Dimensions



### Master data

Item no.	5094460
Type	V25-B+C 2+NPE
Description 1	CombiController V25
Description 2	2+1 version
Dimension	280V
Smallest sales unit (VG)	1,00 Piece
Weight	37,00 kg/100 pc.

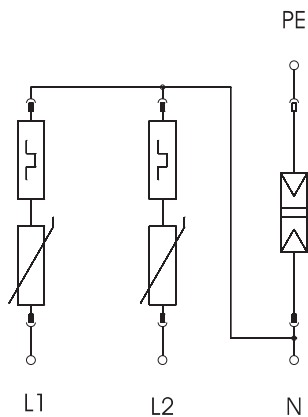
# Technical data sheet

## Combination arrester V25, 2-pole + NPE 280 V

Item no. 5094460



### Technical data



SPD to EN 61643-11	Type 1+2
SPD to IEC 61643-11	Class I+II
Nominal voltage	230,00 V
Maximum continuous voltage AC	280,00 V
Max. continuous operating voltage	280,00 V
U max AC	150,00 V
U max DC	200,00 V
Nominal discharge current (8/20)	30 kA
Nominal discharge current (8/20 µs) [L-N]	30,00 kA
Nominal discharge current (8/20 µs) [N-PE]	30,00 kA
Maximum discharge current (8/20 µs)	50,00 kA
Impulse discharge current (10/350)	7,00 kA
Lightning impulse current (10/350) (N-PE)	25,00 kA
Lightning impulse current (10/350) (L-N)	7,00 kA
Lightning surge current (10/350)	21,00 kA
Arrester surge current (8/20) [total]	90,00 kA
Combined voltage protection level [L-PE]	1.200,00 kV
Protection level	< 0,9 kV
Protection level [L-N]	900,00 kV
Response time	< 25 ns
Maximum back-up fuse	160,00 A
Temperature range	-40+80 °C
Pole version	2+N/PE
Pole number	2,00
Version	2-pole complete with NPE
Version	2 + NPE
Protection rating	IP20
Protection rating	IP 20
Blow-out	<input type="checkbox"/>
Division unit TE (17.5 mm)	3
Remote signalling	<input type="checkbox"/>
Telecommunications contact	<input type="checkbox"/>
Connection cross-section, flexible	2,50 - 25,00 mm <sup>2</sup>
Connection cross-section, rigid	2,50 - 35,00 mm <sup>2</sup>
Connection cross-section, multi-wire	2,50 - 35,00 mm <sup>2</sup>
Signalling on device	Visual