

Technical data sheet

Protective cap for connection lugs, reflective

Item no. 5018014



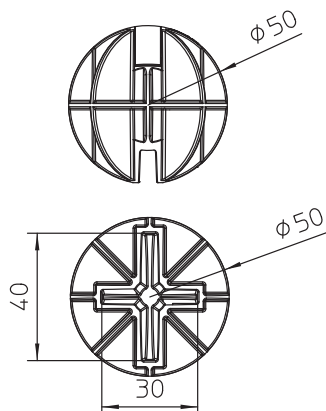
- For snapping onto round conductors or flat conductors
- Noticeable, reflective label
- For accident protection during the construction phase

PE Polyethylene

Master data

Item no.	5018014
Type	ProtectionBall
Description 1	Protective cap, reflective
Description 2	for round and flat conductors
Dimension	50mm
Colour	Pastel orange
RAL number	2003
Material	Polyethylene
Material symbol	PE
Smallest sales unit (VG)	25 Piece
Weight	2,05 kg/100 pc.

Technical data



Type of accessory	Cover cap
Fit	RD 8-10/ FL 25/ 30/ 40 mm