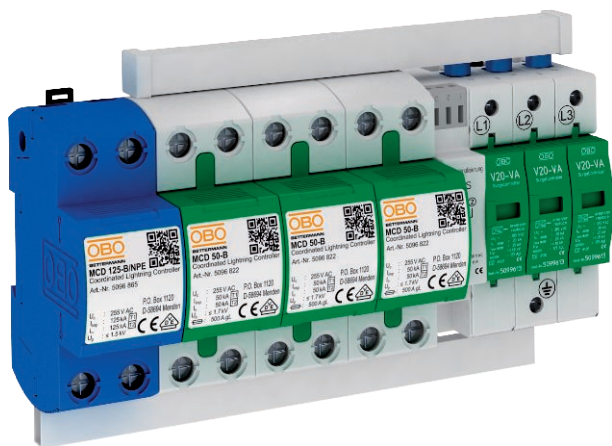


Technical data sheet

Protection set MCD + V20, leakage current-free, 3-pole
+ NPE with remote signalling
Item no. 5089777



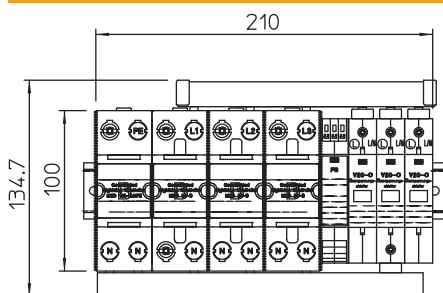
Protection set VA, lightning and surge arrester combination, type 1+2

- For lightning protection equipotential bonding to VDE 0185-305 (IEC 62305)
- Lightning current arresting capacity to 50 kA (10/350) per pole and up to 125 kA (10/350) N-PE
- Leakage current-free
- Plug-in arrester, incl. connecting bridges, labelled connection terminals
- Encapsulated, non-extinguishing arrester for use in distributor housings

Application: Industrial systems with special requirements.



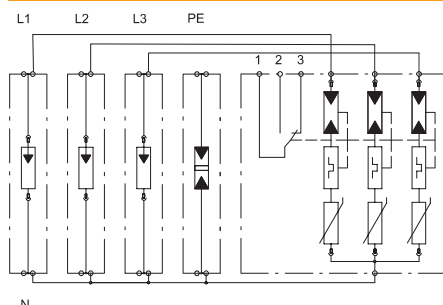
Dimensions



Master data

Item no.	5089777
Type	PS4-VA TT+FS
Description 1	Protection set
Description 2	4-pole w.RS, leak.current-free
Dimension	255V
Smallest sales unit (VG)	1 Piece
Weight	215,00 kg/100 pc.

Technical data



SPD to EN 61643-11	Type 1+2
SPD to IEC 61643-11	Class I+II
Nominal voltage	230,00 V
Maximum continuous voltage AC	255,00 V
Max. continuous operating voltage	255,00 V
Nominal discharge current (8/20)	100 kA
Maximum discharge current (8/20 μs)	100,00 kA
Impulse discharge current (10/350)	100,00 kA
Lightning surge current (10/350)	100,00 kA
Arrester surge current (8/20) [total]	100,00 kA

Technical data sheet

Protection set MCD + V20, leakage current-free, 3-pole
+ NPE with remote signalling
Item no. 5089777



Technical data

Protection level	<1,3 kV
Follow current quenching capacity (eff) [N-PE]	25,00 kA
Follow current quenching capacity left	12,20 kA
Response time	<25 ns
Maximum back-up fuse	125,00 A
Temperature range	-40+85 °C
Pole version	3+N/PE
Version	3+NPE with FS
Version	3 + NPE
Mounting type	Hat rail 35 mm
Installation type	DIN rail 35 mm
Protection rating	IP20
Protection rating	IP 20
Blow-out	<input type="checkbox"/>
Division unit TE (17.5 mm)	12
Remote signalling	<input checked="" type="checkbox"/>
Telecommunications contact	<input checked="" type="checkbox"/>
Connection cross-section, flexible	10,00 - 25,00 mm ²
Connection cross-section, rigid	10,00 - 50,00 mm ²
Connection cross-section, multi-wire	10,00 - 35,00 mm ²
Signalling on device	Visual