

Technical data sheet

FineController FC-RJ-D for telephone systems with RJ12

Item no. 5092828



Type 3 combined surge protection to EN 61643-11 designed for use in telephone systems and terminals with RJ12 connection.

- Adapter connector
- Cut-off unit and function display
- With increased contact protection
- Incl. 0.5 m connection cable RJ12
- Maximum continuous voltage, RJ connection 200 V DC / 1.5 A (25 °C)
- Limit frequency: type 4 MHz / DSL-compatible

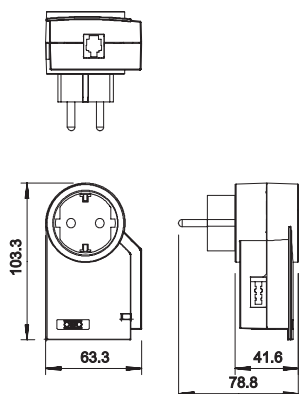
Note: The technical data in the table below refers to the power supply.



Master data

Item no.	5092828
Type	FC-RJ-D
Description 1	FineController
Description 2	including telephone protection
Dimension	230V
Colour	Pure white
RAL number	9010
Smallest sales unit (VG)	1 Piece
Weight	18,00 kg/100 pc.

Technical data



SPD to EN 61643-11	Type 3
SPD to IEC 61643-11	Class III
Response time	<25 ns
Version	Schuko – RJ
Max. continuous operating voltage	275,00 V
Country-specific version	EN
Lightning protection zone LPZ	2→3
Nominal discharge current (8/20)	3 kA
Rated current	16,00 A
Nominal voltage	230,00 V
Installation type	Adapter
Maximum discharge current (8/20 µs)	8,00 kA
Maximum back-up fuse	16,00 A
With interference suppression filter	<input type="checkbox"/>
Test class, type 3	<input checked="" type="checkbox"/>
Protection rating	IP 20
Protection rating	IP20
Protection level	<1,5 kV
Protection level (N-PE)	< 1,5 kV
Protection level (L-N)	< 1,2 kV
Protection level (L-N / L/N-PE)	<1200 / <1500 V

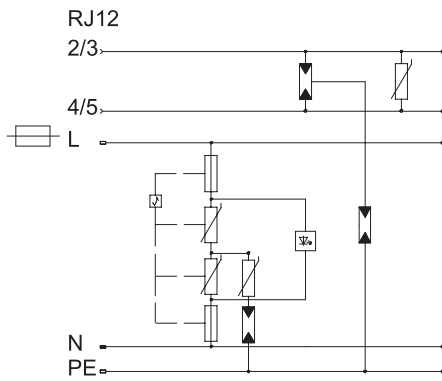
Technical data sheet

FineController FC-RJ-D for telephone systems with RJ12

Item no. 5092828



Technical data



Signalling on device
Temperature range

Visual
-25°C-+75°C