

Technical data sheet

Surge protective device CNS 3 D

Item no. 5092701



Surge protective device, type 3, to DIN EN 61643-11, intended for use in protective contact sockets.

- With visual and audible signalling, function display
- 3-way socket
- Length of connection cable: 2 m
- Y circuit for high electrical safety

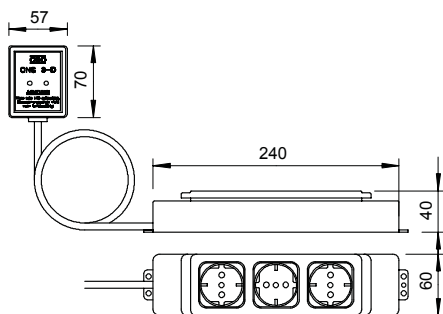
Application: For example, the protection of PCs, printers, copiers, fax machines, etc.



Master data

| | |
|--------------------------|-------------------------|
| Item no. | 5092701 |
| Type | CNS 3-D-D |
| Description 1 | Surge protective device |
| Description 2 | Germany version |
| Dimension | 230V |
| Colour | Black |
| Smallest sales unit (VG) | 1 Piece |
| Weight | 65,00 kg/100 pc. |

Technical data



| | |
|-------------------------------------|--------------------------|
| SPD to EN 61643-11 | Type 3 |
| SPD to IEC 61643-11 | Class III |
| Connecting cable length | 2,00 m |
| Response time | <25 ns |
| Blow-out | <input type="checkbox"/> |
| Telecommunications contact | <input type="checkbox"/> |
| Max. continuous operating voltage | 255,00 V |
| Country-specific version | EN |
| Lightning protection zone LPZ | 2→3 |
| Nominal discharge current (8/20) | 2.5 kA |
| Rated current | 16,00 A |
| Nominal voltage | 230,00 V |
| Installation type | Socket bar |
| Maximum discharge current (8/20 μs) | 7,00 kA |
| Maximum back-up fuse | 16,00 A |
| Protection level | 1000/ 1500 kV |
| Protection level (N-PE) | < 1,5 kV |
| Protection level (L-N) | < 1,0 kV |
| Protection level (L-N / L/N-PE) | < 1000 / < 1500 V |
| Signalling on device | Optical and acoustic |

Technical data sheet

Surge protective device CNS 3 D

Item no. 5092701



Technical data

