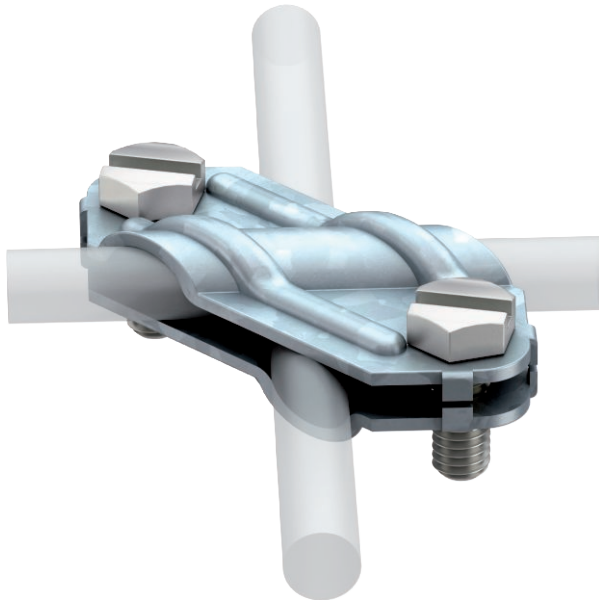


Technical data sheet

Cross-connector for flat conductors and round conductors

Item no. 5312906



- Meets the requirements of VDE 0185-305-3 (IEC/ EN 62305-3)
- Fit: Rd 8-10 x Rd 8-10
- Fit: Rd 8-10 x FL 30
- Fit: FL 30 x FL 30
- Mounted with 2 hexagonal bolts M8 x 20 (F)



St Steel

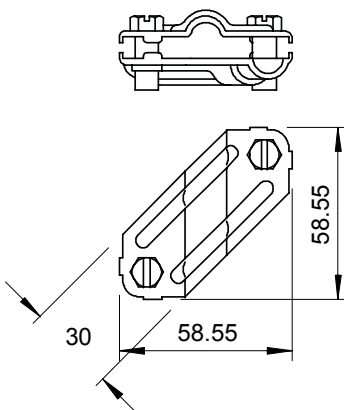
FT Hot-dip galvanised

Product description

Master data

Item no.	5312906
Type	250
Description 1	Cross-connectors
Dimension	8-10mm
Material	Steel
Material symbol	St
Surface	Hot-dip galvanised
Surface to DIN	DIN EN ISO 1461
Surface symbol	FT
Weight	10,26 kg/100 pc.

Technical data



Type of fastening screw	Hex set screw
Type of connector	Cross-connectors
Lightning current carrying capacity	N/50 kA
Suitable for connection	Round conductor Rd 8-10 / flat conductor FL 30
Short-circuit current (50 Hz)(1 s; ≤300°C)	5,60 kA
Fit	Rd 8-10/FL30 mm
Intermediate plate	<input type="checkbox"/>