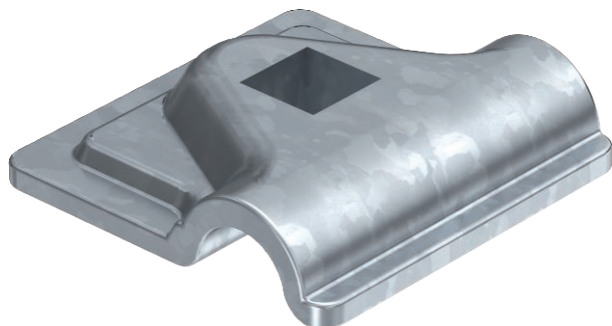


Technical data sheet

Quick connector, upper part Rd 8–10 mm

Item no. 5311503



- For round conductor fastening RD 8-10
- Suitable for M10 bolts

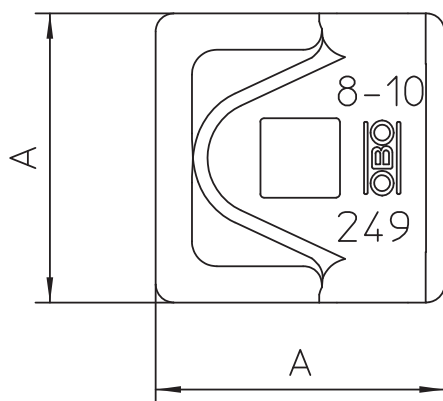
St	Steel
FT	Hot-dip galvanised

Product description

Master data

Item no.	5311503
Type	249 8-10 ST-0T
Description 1	Quick connector
Description 2	cover
Dimension	8-10mm
Material	Steel
Material symbol	St
Surface	Hot-dip galvanised
Surface to DIN	DIN EN ISO 1461
Surface symbol	FT
Smallest sales unit (VG)	100 Piece
Weight	3,24 kg/100 pc.

Technical data



Dimension A	40,00 mm
Fit	Rd 8-10 mm