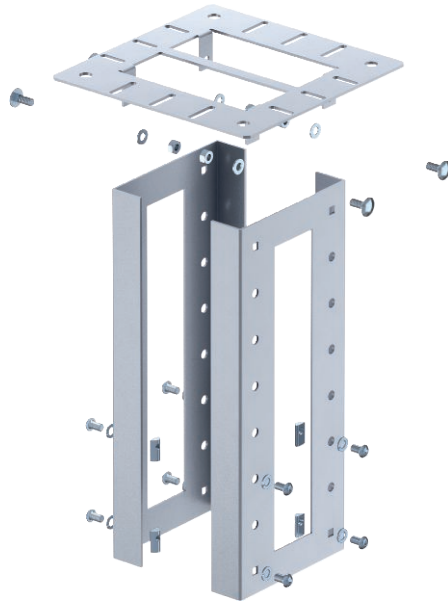


Technical data sheet

Ceiling fastening for service poles

Item no. 6290436



Ceiling fastening for fixing the ISS service pole to the ceiling. The scope of delivery comprises of two U-shaped profiles made from 3 mm sheet steel, the fastening plate for the ceiling and the required installation accessories, including the groove rail. The ceiling fastening can be height-adjusted on the pole profile.

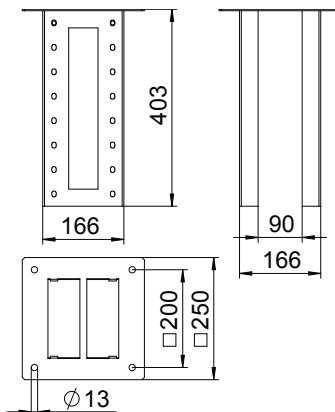


St Steel

Master data

Item no.	6290436
Type	ISS160160DB WA
Description 1	Ceiling fastening
Description 2	for install. column, industry
Colour	White aluminium
RAL number	9006
Material	Steel
Material symbol	St
Smallest sales unit (VG)	1 Piece
Weight	443,60 kg/100 pc.

Technical data



Length	403,00 mm
Width	166,00 mm
Height	166,00 mm
Fastening type	Screw
Halogen-free	<input checked="" type="checkbox"/>