

# Technical data sheet

Device installation trunking Rapid 80, trunking width 130, trunking height 70, halogen-free  
Item no. 6114200



GKH device installation trunking made of halogen-free PC/ABS, suitable for direct wall mounting or on wall brackets. Fastening takes place using the perforation in the trunking. The GKH device installation trunking possesses a C profile on the floor to accept a plastic partition. All the switch programmes with a support ring and support clamp design as well as Modul 45 installation devices can be installed in the accessory mounting boxes of series 71GD.... The system opening is 76.5 mm. On each trunking length, a coupling pair is pre-assembled on one side.

The cover must be ordered separately.

Covers must be ordered separately.



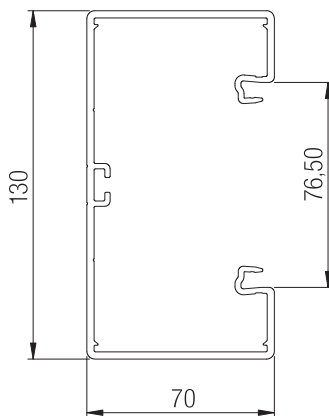
PC/  
ABS

Polycarbonate/acrylonitrile butadiene styrene

## Master data

Item no.	6114200
Type	GKH-70130RW
Description 1	Device inst.trunk.halogen-free
Description 2	with base perforation
Dimension	70x130x2000
Colour	Pure white
RAL number	9010
Material	Polycarbonate/acrylonitrile-butadiene-styrene
Material symbol	PC/ABS
Smallest sales unit (VG)	2 m
Weight	121,00 kg/100 m

## Technical data



Length	2.000,00 mm
Width	130,00 mm
Height	70,00 mm
Number of covers	1
Number of insertable partitions	1
Rear panel version (inner side)	Continuous C profile
Rectangular shape	<input checked="" type="checkbox"/>
Base perforation	With base perforation
Halogen-free	<input checked="" type="checkbox"/>
Cable retaining clip	<input type="checkbox"/>
Trunking height	70,00 mm
Trunking height	130,00 mm
Duct connector	<input checked="" type="checkbox"/>
Cover mounting type	Internal
Mounting perforation in base	<input checked="" type="checkbox"/>
Cover width	76,5 mm
Cover width 2	0,00 mm
Cover width 3	0,00 mm
Cover supplied	<input type="checkbox"/>
Protective film	<input checked="" type="checkbox"/>
Symmetrical	<input checked="" type="checkbox"/>