

Technical data sheet

T piece adapter on WDK 40060

Item no. 6113324



T-piece adapter to create a 90° junction from the system size Rapid 45-2 53130 to a cable trunking WDK40060.



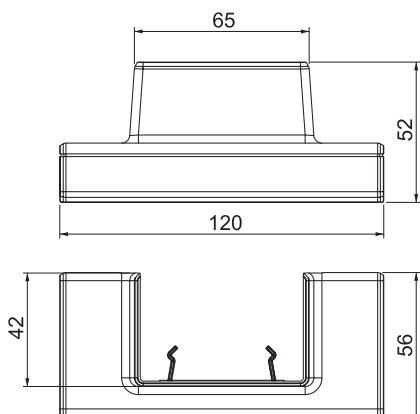
PC/
ABS

Polycarbonate/acrylonitrile butadiene styrene

Master data

Item no.	6113324
Type	GK-TA WDK 2AL
Description 1	T piece adaptor
Description 2	130 to WDK 40060
Dimension	120x52x56
Colour	Aluminium
Material	Polycarbonate/acrylonitrile-butadiene-styrene
Material symbol	PC/ABS
Smallest sales unit (VG)	1 Piece
Weight	2,20 kg/100 pc.

Technical data



Width of the branch	60,00 mm
Version for	Hood fitting
Number of covers	1
Duct connector	<input type="checkbox"/>
for duct width	130,00 mm
for trunking height	53,00 mm
Halogen-free	<input checked="" type="checkbox"/>
Cable retaining clip	<input type="checkbox"/>
Cover mounting type	Cross-over
Mounting perforation in base	<input type="checkbox"/>
Cover width	0 mm
Cover width 2	0,00 mm
Cover width 3	0,00 mm
Protective film	<input type="checkbox"/>
Symmetrical	<input type="checkbox"/>