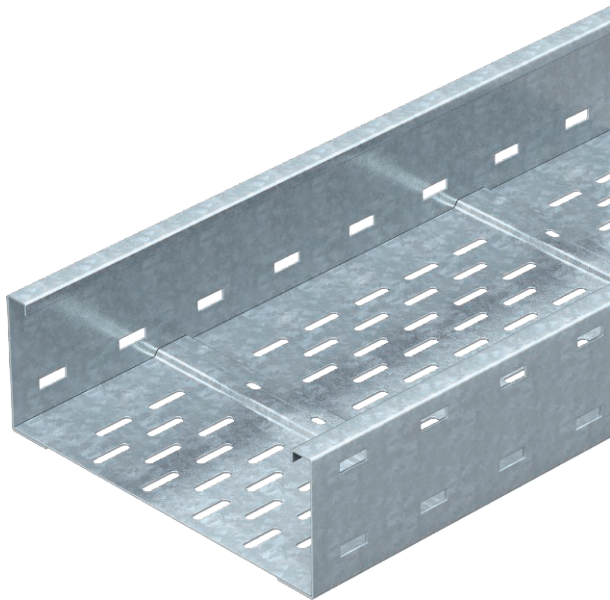


# Technical data sheet

## Wide span cable tray WKSG 110

Item no. 6098153



Wide span cable tray system, perforated, with a side height of 110 mm.

Straight connectors of type WRVL 110 should be ordered separately and in the appropriate quantity.

Magnetic shield insulation without cover 20 dB, with cover 50 dB.



**St** Steel

**FT** Hot-dip galvanised

### Master data

Item no.	6098153
Type	WKSG 150 FT
Description 1	Wide span cable tray
Description 2	perforated, floor beaded
Manufacturer	OBO
Dimension	110x500x6000
Material	Steel
Material symbol	St
Surface	Hot-dip galvanised
Surface to DIN	DIN EN ISO 1461
Surface symbol	FT
Smallest sales unit (VG)	6 m
Weight	1.086,32 kg/100 m

### Technical data

Usable cross-section	51.100,00 mm <sup>2</sup>
Usable cross-section	511,00 cm <sup>2</sup>
Suitable for maintaining electrical function	<input type="checkbox"/>
Connector version	Without connectors
Mounting perforation in base	<input checked="" type="checkbox"/>
Rustproof steel, pickled	<input type="checkbox"/>
Side perforation	<input checked="" type="checkbox"/>
Wide-span version	<input checked="" type="checkbox"/>

# Technical data sheet

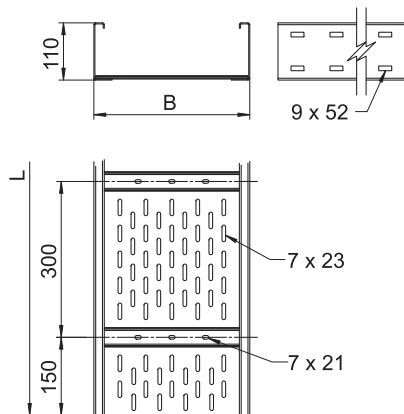
## Wide span cable tray WKSG 110

Item no. 6098153



### Technical data

#### Dimensions

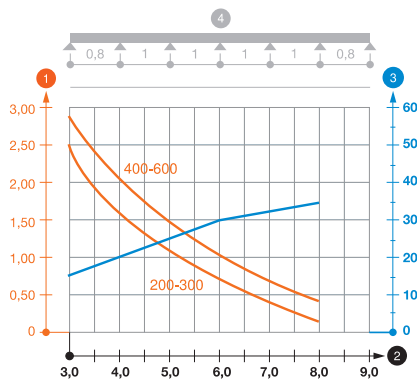


Length	6.000,00 mm
Width	500,00 mm
Height	110,00 mm
Side height	110,00 mm
Dimension B	500,00 mm
Dimension L	6.000,00 mm
Plate thickness	2,00 mm

#### Appr. load:

Support spacing 3.0 m	2,90 kN/m
Support spacing 3.5 m	2,43 kN/m
Support spacing 4.0 m	2,00 kN/m
Support spacing 4.5 m	1,72 kN/m
Support spacing 5.0 m	1,50 kN/m
Support spacing 6.0 m	1,00 kN/m
Support spacing 7.0 m	0,70 kN/m
Support spacing 8.0 m	0,40 kN/m

Load diagram, wide span cable tray, type WKSG 110



- 1 Permitted cable tray/ladder load in kN/m without man load
- 2 Support width in m
- 3 Rail bend in mm at permitted kN/m
- 4 Load scheme during testing
- Load curve with cable tray/ladder width in mm
- Strut bend curve according to support width