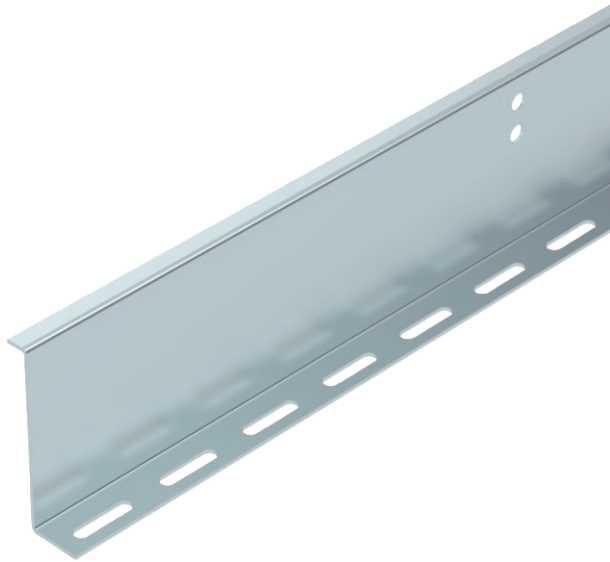


# Technical data sheet

## Barrier strip, Z-shaped 100

Item no. 6062390



Barrier strip for the BKRS walkable cable tray system. Fastening with truss-head bolts M6 x 12 in the base perforation.

For widths of 200 mm or more, a barrier strip with a maximum compartment size of 220 mm should be used.

For widths of 500 mm or more, two barrier strips with a maximum compartment size of 220 mm should be used.



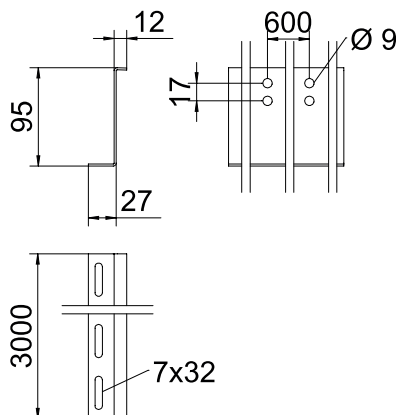
**St** Steel

**FS** Strip galvanised

### Master data

Item no.	6062390
Type	TSG100Z BKRS FS
Description 1	Barrier strip
Description 2	Z type, for BKS
Dimension	100x2x3000
Material	Steel
Material symbol	St
Surface	Strip galvanised
Surface to DIN	DIN EN 10346
Surface symbol	FS
Smallest sales unit (VG)	3 m
Weight	187,67 kg/100 m

### Technical data



Length	3.000,00 mm
Side height	100,00 mm
Dimension H	100,00 mm
Dimension L	3.000,00 mm
Version	Other
Plate thickness	2,00 mm
Fastening perforation (ETIM)	<input checked="" type="checkbox"/>
Suitable for mesh cable tray	<input type="checkbox"/>
Suitable for cable ladder	<input type="checkbox"/>
Suitable for cable tray	<input checked="" type="checkbox"/>
Suitable for maintaining electrical function	<input type="checkbox"/>
Rustproof steel, pickled	<input type="checkbox"/>