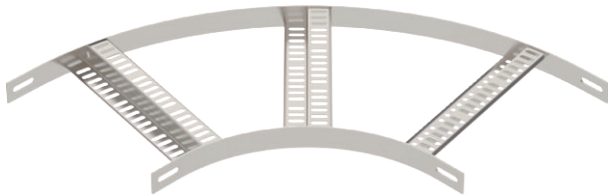


# Technical data sheet

## 90° bend with Z rung, 35

Item no. 7099265



CE

90° bend for shipbuilding cable ladders, type SLZ L, with side height of 35 mm with welded, perforated Z rungs.

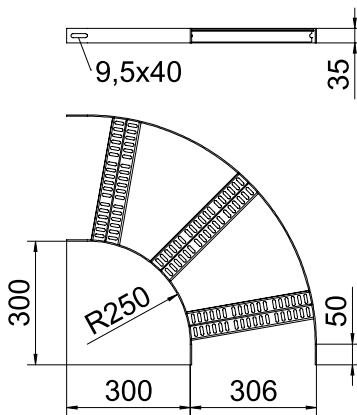
Connectors should be ordered separately and in the appropriate quantity.

<b>VA</b>	Stainless steel, rustproof 1.4571
<b>2B</b>	Bright, reworked

### Master data

Item no.	7099265
Type	SLZB L 90 300 A4
Description 1	90° bend
Description 2	with Z-rung
Dimension	B306mm
Material	Stainless steel, material no. 1.4571
Material symbol	A4
Surface	Bright, reworked
Surface symbol	2B
Smallest sales unit (VG)	1 Piece
Weight	178,70 kg/100 pc.

### Technical data



Width	300,00 mm
Side height	35,00 mm
Dimension R	250,00 mm
Bend (angle)	90°
Connector version	Without connectors
Rung version	Profile perforated
Side rail version	Flat profile
Suitable for maintaining electrical function	<input type="checkbox"/>
Rail thickness	3,00 mm
Change of direction	Horizontal
Rustproof steel, pickled	<input checked="" type="checkbox"/>
Hinged	<input type="checkbox"/>
Side perforation	<input type="checkbox"/>
Wide-span version	<input type="checkbox"/>