

Technical data sheet

SBR 15 tightening strap

Item no. 6490282



Tightening strap made of rustproof steel with plastic jacketing to fasten cables on cable support systems.



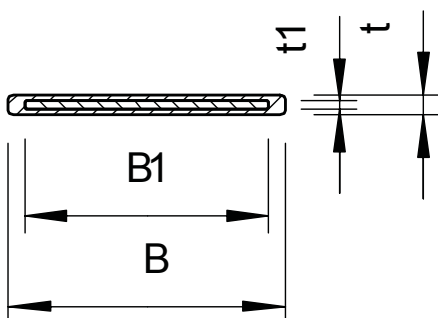
VA Stainless steel, rustproof 1.4301

Plastic-coated

Master data

Item no.	6490282
Type	SBR 15 A2K
Description 1	Tightening strap
Description 2	per roll: 20 m
Dimension	15x0,5
Colour	Jet black
RAL number	9005
Material	Stainless steel, material no. 1.4301
Material symbol	A2
Quality	1,43
Surface	Plastic-coated
Surface symbol	K
Smallest sales unit (VG)	25 m
Weight	7,63 kg/100 m

Technical data



Dimension B	17,00 mm
Dimension B1	15,00 mm
Dimension t	1,20 mm
Dimension t1	0,50 mm
Dimension	15,0 x 0,5 mm
Version	Smooth
Avg. breaking load	4,19 kN