

Technical data sheet

90° adjustable bend, vertical 60

Item no. 7138113



90° adjustable vertical bend, for all cable tray types with a side height of 60 mm.

The bend is shipped in an unmounted state. No additional fastening materials are required.



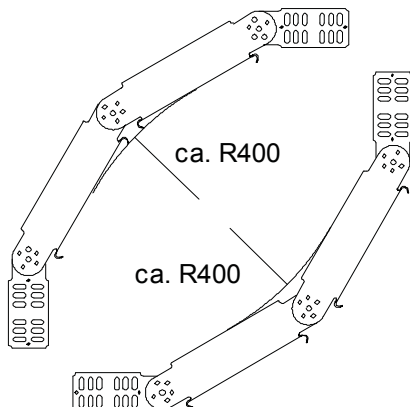
VA Stainless steel, rustproof 1.4301

2B Bright, reworked

Master data

Item no.	7138113
Type	RGBV 610 A2
Description 1	Adjustable bend
Description 2	vertical
Dimension	60x100
Material	Stainless steel, material no. 1.4301
Material symbol	A2
Surface	Bright, reworked
Surface symbol	2B
Smallest sales unit (VG)	1 Piece
Weight	182,00 kg/100 pc.

Technical data



Width	100,00 mm
Side height	60,00 mm
Dimension R	400,00 mm
Connector version	Supplied connectors
Shape	Articulated bend, complete
Plate thickness	1,00 mm
Suitable for maintaining electrical function	<input type="checkbox"/>
Mounting perforation in base	<input type="checkbox"/>
NATO hole pattern	<input type="checkbox"/>
Rustproof steel, pickled	<input type="checkbox"/>
Side perforation	<input type="checkbox"/>
Wide-span version	<input type="checkbox"/>