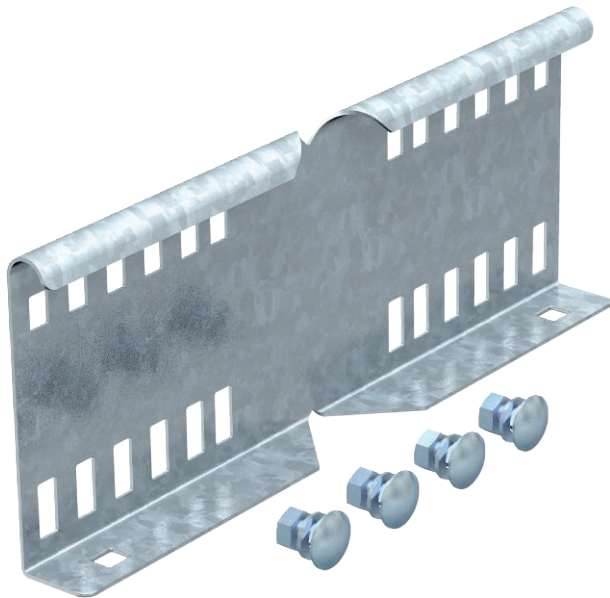


Technical data sheet

Angle connector 110

Item no. 6216587



Angle connector as external connector to join cable ladders and fittings with a side height of 110 mm and continuous rail perforation.

The bolt fastening ensures the continuity of the equipotential bonding.



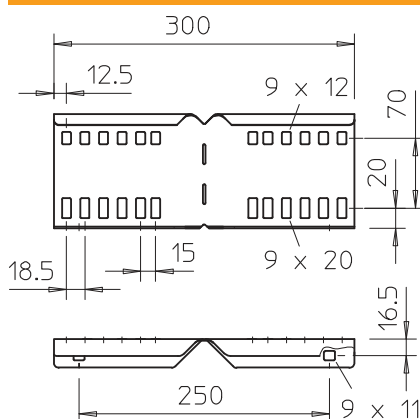
St Steel

FS Strip galvanised

Master data

Item no.	6216587
Type	LWVG 110 FS
Description 1	Angle connector
Description 2	for cable ladder
Dimension	114x300
Material	Steel
Material symbol	St
Surface	Strip galvanised
Surface to DIN	DIN EN 10346
Surface symbol	FS
Smallest sales unit (VG)	10 Piece
Weight	48,80 kg/100 pc.

Technical data



Length	300,00 mm
Width	28,00 mm
Height	110,00 mm
Side height	110,00 mm
Dimension	114x300 mm
Version	Angle connector
Plate thickness	1,50 mm
Suitable for cable tray system height	110,00 mm
Suitable for cable tray	<input type="checkbox"/>
Suitable for mesh cable tray	<input type="checkbox"/>
Suitable for cable ladder	<input checked="" type="checkbox"/>
Adjustable connector, horizontal	<input type="checkbox"/>
Adjustable connector, vertical	<input type="checkbox"/>
Rustproof steel, pickled	<input type="checkbox"/>
Connection type	Screw connector