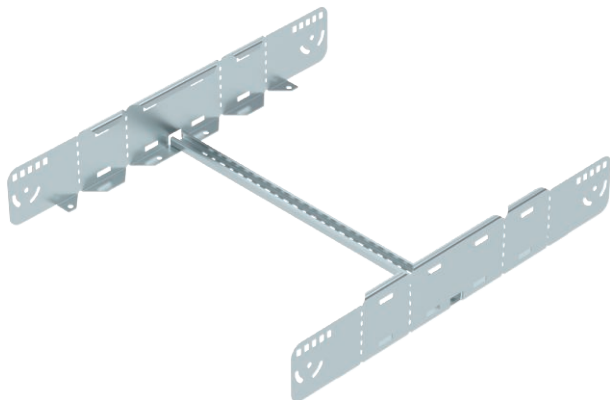


Technical data sheet

Multifunctional connector 110

Item no. 6225758



Multifunctional connector for joining cable ladders with a side height of 110 mm. Symmetrical and asymmetrical reductions, infinitely-adjustable bends between 0–60° and add-on tees can be created.

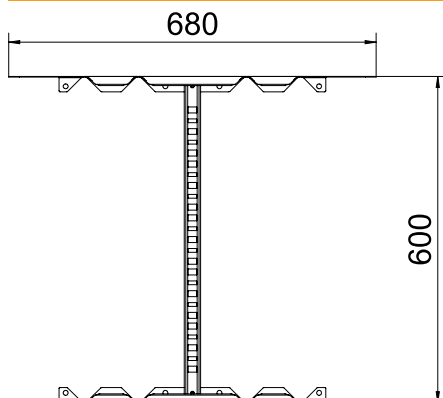


- St** Steel
- FS** Strip galvanised

Master data

Item no.	6225758
Type	LMFV 1160 FS
Description 1	Multifunctional connector
Description 2	for cable ladder
Dimension	110x600
Material	Steel
Material symbol	St
Surface	Strip galvanised
Surface to DIN	DIN EN 10346
Surface symbol	FS
Smallest sales unit (VG)	1 Piece
Weight	234,00 kg/100 pc.

Technical data



Length	680,00 mm
Width	600,00 mm
Height	110,00 mm
Side height	110,00 mm
Dimension B	600,00 mm
Version	Straight and angle connector
Plate thickness	1,50 mm
Suitable for cable support system width	600,00 - 600,00 mm
Suitable for cable tray system height	110,00 mm
Suitable for cable tray	<input type="checkbox"/>
Suitable for mesh cable tray	<input type="checkbox"/>
Suitable for cable ladder	<input checked="" type="checkbox"/>
Suitable for maintaining electrical function	<input type="checkbox"/>
Adjustable connector, horizontal	<input type="checkbox"/>
Adjustable connector, vertical	<input type="checkbox"/>
Rustproof steel, pickled	<input type="checkbox"/>
Connection type	Screw connector