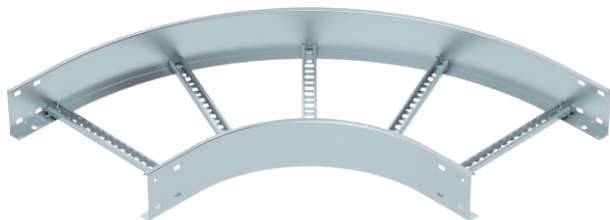


Technical data sheet

90° bend 110

Item no. 6225126



90° bend, horizontal, with welded rung for all cable ladder types of 110 mm side height. Connectors should be ordered separately and in the appropriate quantity.

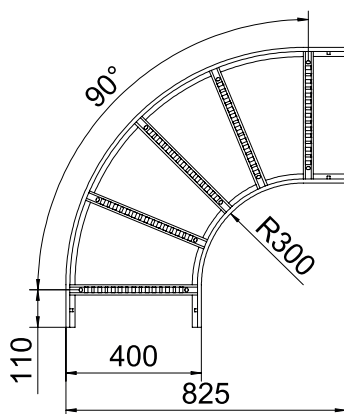


- St** Steel
- FS** Strip galvanised

Master data

Item no.	6225126
Type	LB 90 1140 R3 FS
Description 1	90° bend
Description 2	for cable ladder
Dimension	110x400
Material	Steel
Material symbol	St
Surface	Strip galvanised
Surface to DIN	DIN EN 10346
Surface symbol	FS
Smallest sales unit (VG)	1 Piece
Weight	488,00 kg/100 pc.

Technical data



Width	400,00 mm
Side height	110,00 mm
Dimension B	400,00 mm
Dimension R	300,00 mm
Bend (angle)	90°
Connector version	Without connectors
Rung version	Profile perforated
Side rail version	Flat profile
Suitable for maintaining electrical function	<input type="checkbox"/>
Rail thickness	1,50 mm
Change of direction	Horizontal
Rustproof steel, pickled	<input type="checkbox"/>
Hinged	<input type="checkbox"/>
Side perforation	<input type="checkbox"/>
Wide-span version	<input type="checkbox"/>