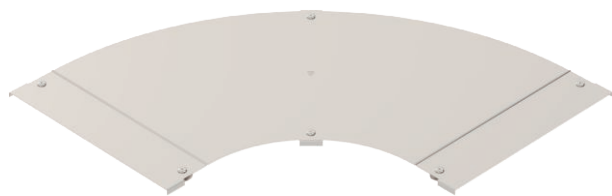


# Technical data sheet

## Cover for 90° bend LBD R3

Item no. 6226076



Cover with turn buckles for covering 90° cable ladder bends with welded rungs.

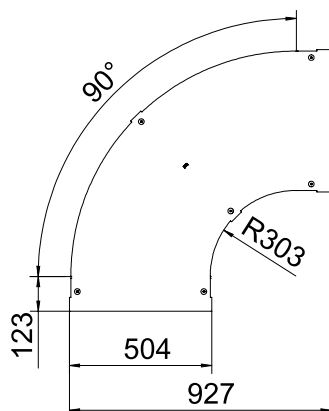


|           |                                   |
|-----------|-----------------------------------|
| <b>VA</b> | Stainless steel, rustproof 1.4571 |
| <b>2B</b> | Bright, reworked                  |

### Master data

|                          |                                      |
|--------------------------|--------------------------------------|
| Item no.                 | 6226076                              |
| Type                     | LBD 90 500 R3 A4                     |
| Description 1            | Cover for 90° bend                   |
| Description 2            | with turn buckle                     |
| Manufacturer             | OBO                                  |
| Dimension                | B500                                 |
| Material                 | Stainless steel, material no. 1.4571 |
| Material symbol          | A4                                   |
| Surface                  | Bright, reworked                     |
| Surface symbol           | 2B                                   |
| Smallest sales unit (VG) | 1 Piece                              |
| Weight                   | 575,00 kg/100 pc.                    |

### Technical data



|  |                                     |
|--|-------------------------------------|
| Width  | 500,00 mm                           |
| Dimension B                                  | 500,00 mm                           |
| Bend (angle)                                 | 90°                                 |
| Fastening type                               | Turn buckle                         |
| Plate thickness                              | 1,25 mm                             |
| Suitable for cable tray                      | <input type="checkbox"/>            |
| Suitable for mesh cable tray                 | <input type="checkbox"/>            |
| Suitable for cable ladder                    | <input checked="" type="checkbox"/> |
| Suitable for maintaining electrical function | <input type="checkbox"/>            |
| Change of direction                          | Horizontal                          |
| Rustproof steel, pickled                     | <input type="checkbox"/>            |
| Hinged                                       | <input type="checkbox"/>            |