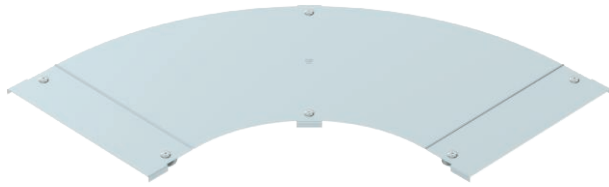


# Technical data sheet

## Cover for 90° bend LBD R3

Item no. 6225994



Cover with turn buckles for covering 90° cable ladder bends with welded rungs.

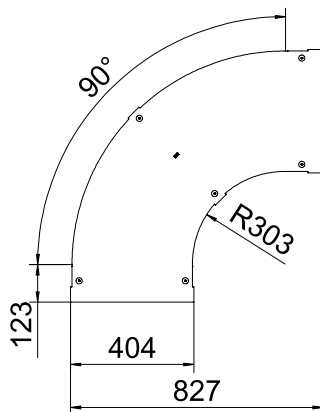
CE

<b>St</b>	Steel
<b>FS</b>	Strip galvanised

### Master data

Item no.	6225994
Type	LBD 90 400 R3 FS
Description 1	Cover for 90° bend
Description 2	with turn buckle
Manufacturer	OBO
Dimension	B400
Material	Steel
Material symbol	St
Surface	Strip galvanised
Surface to DIN	DIN EN 10346
Surface symbol	FS
Smallest sales unit (VG)	1 Piece
Weight	331,00 kg/100 pc.

### Technical data



Width	400,00 mm
Dimension B	400,00 mm
Bend (angle)	90°
Fastening type	Turn buckle
Plate thickness	1,00 mm
Suitable for cable tray	<input type="checkbox"/>
Suitable for mesh cable tray	<input type="checkbox"/>
Suitable for cable ladder	<input checked="" type="checkbox"/>
Suitable for maintaining electrical function	<input type="checkbox"/>
Change of direction	Horizontal
Rustproof steel, pickled	<input type="checkbox"/>
Hinged	<input type="checkbox"/>