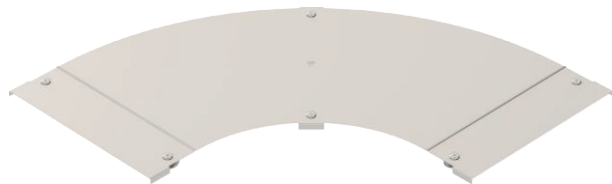


Technical data sheet

Cover for 90° bend LBD R3

Item no. 6226074



Cover with turn buckles for covering 90° cable ladder bends with welded rungs.



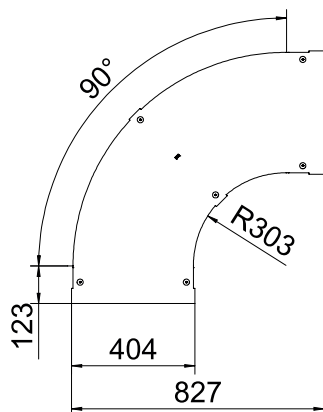
VA Stainless steel, rustproof 1.4571

2B Bright, reworked

Master data

Item no.	6226074
Type	LBD 90 400 R3 A4
Description 1	Cover for 90° bend
Description 2	with turn buckle
Manufacturer	OBO
Dimension	B400
Material	Stainless steel, material no. 1.4571
Material symbol	A4
Surface	Bright, reworked
Surface symbol	2B
Smallest sales unit (VG)	1 Piece
Weight	350,00 kg/100 pc.

Technical data



Width	400,00 mm
Dimension B	400,00 mm
Bend (angle)	90°
Fastening type	Turn buckle
Plate thickness	1,00 mm
Suitable for cable tray	<input type="checkbox"/>
Suitable for mesh cable tray	<input type="checkbox"/>
Suitable for cable ladder	<input checked="" type="checkbox"/>
Suitable for maintaining electrical function	<input type="checkbox"/>
Change of direction	Horizontal
Rustproof steel, pickled	<input type="checkbox"/>
Hinged	<input type="checkbox"/>