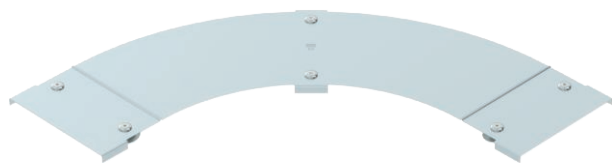


Technical data sheet

Cover for 90° bend LBD R3

Item no. 6225990



Cover with turn buckles for covering 90° cable ladder bends with welded rungs.

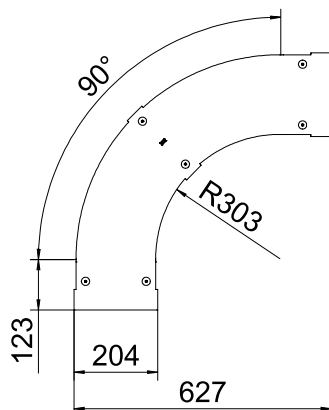


| | |
|-----------|------------------|
| St | Steel |
| FS | Strip galvanised |

Master data

| | |
|--------------------------|--------------------|
| Item no. | 6225990 |
| Type | LBD 90 200 R3 FS |
| Description 1 | Cover for 90° bend |
| Description 2 | with turn buckle |
| Manufacturer | OBO |
| Dimension | B200 |
| Material | Steel |
| Material symbol | St |
| Surface | Strip galvanised |
| Surface to DIN | DIN EN 10346 |
| Surface symbol | FS |
| Smallest sales unit (VG) | 1 Piece |
| Weight | 145,00 kg/100 pc. |

Technical data



| | |
|--|-------------------------------------|
| Width | 200,00 mm |
| Dimension B | 200,00 mm |
| Bend (angle) | 90° |
| Fastening type | Turn buckle |
| Plate thickness | 1,00 mm |
| Suitable for cable tray | <input type="checkbox"/> |
| Suitable for mesh cable tray | <input type="checkbox"/> |
| Suitable for cable ladder | <input checked="" type="checkbox"/> |
| Suitable for maintaining electrical function | <input type="checkbox"/> |
| Change of direction | Horizontal |
| Rustproof steel, pickled | <input type="checkbox"/> |
| Hinged | <input type="checkbox"/> |