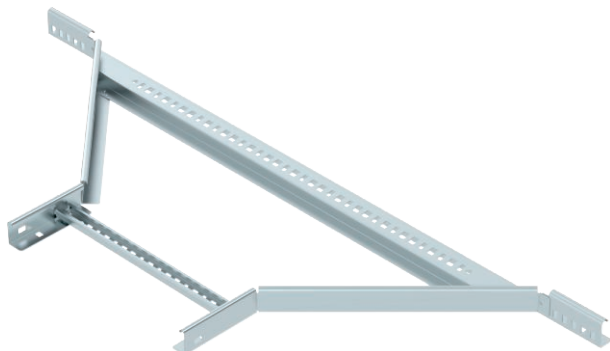


# Technical data sheet

## Add-on tee

Item no. 6225814



Add-on tee with welded rung for use in the cable ladder types with a side height of 45 mm.

CE

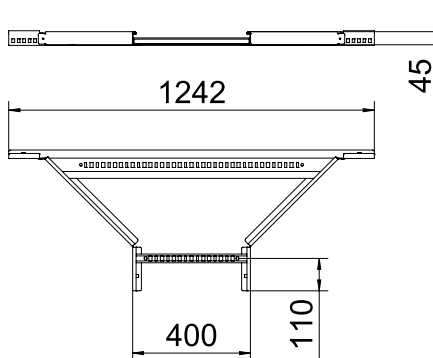
|    |                  |
|----|------------------|
| St | Steel            |
| FS | Strip galvanised |

Additional product text, instruction  
Connectors should be ordered separately and in the appropriate quantity.

### Master data

|                          |                   |
|--------------------------|-------------------|
| Item no.                 | 6225814           |
| Type                     | LAA 440 R3 FS     |
| Description 1            | Add-on tee        |
| Description 2            | for cable ladder  |
| Dimension                | 45x400            |
| Material                 | Steel             |
| Material symbol          | St                |
| Surface                  | Strip galvanised  |
| Surface to DIN           | DIN EN 10346      |
| Surface symbol           | FS                |
| Smallest sales unit (VG) | 1,00 Piece        |
| Weight                   | 300,00 kg/100 pc. |

### Technical data



|  |                          |
|--|--------------------------|
| Width  | 400,00 mm                |
| Side height                                  | 45,00 mm                 |
| Dimension B                                  | 1242,00 mm               |
| Dimension R                                  | 110,00 mm                |
| Connector version                            | Without connectors       |
| Rung version                                 | Profile perforated       |
| Side rail version                            | Flat profile             |
| Suitable for maintaining electrical function | <input type="checkbox"/> |
| Rail thickness                               | 1,25 mm                  |
| Rustproof steel, pickled                     | <input type="checkbox"/> |
| Wide-span version                            | <input type="checkbox"/> |