

Technical data sheet

HS M6 hook screw

Item no. 1154990



Hook screw for fastening cable tracks on the bracket.



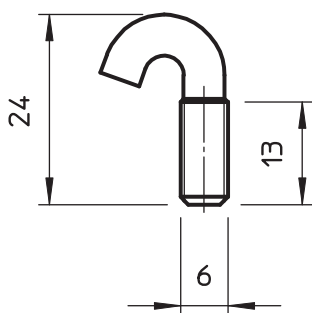
A2 Stainless steel, rustproof

2B Bright, reworked

Master data

Item no.	1154990
Type	HS M6x13 A2
Description 1	Hook screw
Description 2	mesh cable tray fastening
Dimension	M6x13
Material	Stainless steel, material A2
Material symbol	A2
Surface	Bright, reworked
Surface symbol	2B
Weight	0,57 kg/100 pc.

Technical data



Thread | M6