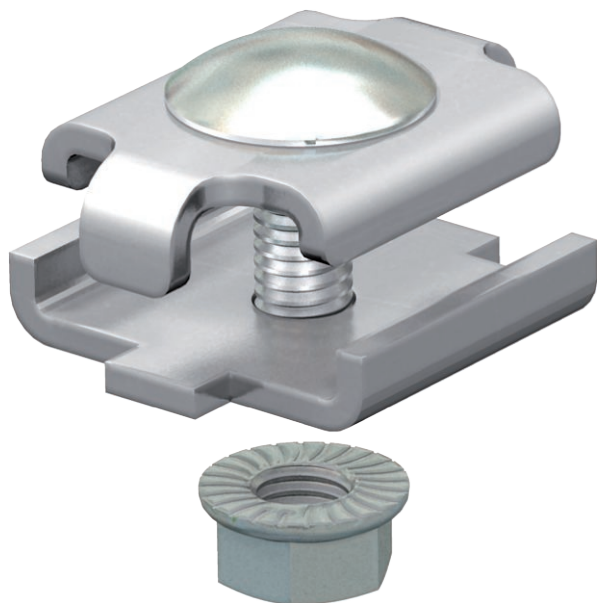


Technical data sheet

Joint connector GSV 34

Item no. 6016642



Screwed version of joint connector for mesh cable trays.

Including screw of type FRS M6 x 20.

Figure: Positioning and quantity of mesh cable tray connectors.

- 50-150 mm = 2 units
- 200-300 mm = 3 units
- 400-450 mm = 4 units
- 500-600 mm = 5 units



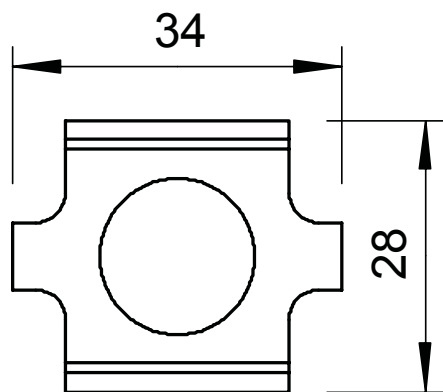
VA Stainless steel, rustproof 1.4301

2B Bright, reworked

Master data

Item no.	6016642
Type	GSV 34 A2
Description 1	Joint connector
Description 2	for mesh cable tray
Material	Stainless steel, material no. 1.4301
Material symbol	A2
Surface	Bright, reworked
Surface symbol	2B
Smallest sales unit (VG)	20 Piece
Weight	2,57 kg/100 pc.

Technical data



Length	34,00 mm
Width	29,00 mm
Height	24,00 mm
Dimension	34 x 27,5 mm
Version	Straight connector
Suitable for cable tray	<input type="checkbox"/>
Suitable for mesh cable tray	<input checked="" type="checkbox"/>
Suitable for cable ladder	<input type="checkbox"/>
Suitable for maintaining electrical function	<input type="checkbox"/>
Adjustable connector, horizontal	<input type="checkbox"/>
Adjustable connector, vertical	<input type="checkbox"/>
Suitable for mesh cable tray wire	3,90 - 4,90 mm
Rustproof steel, pickled	<input checked="" type="checkbox"/>
Connection type	Screw connector