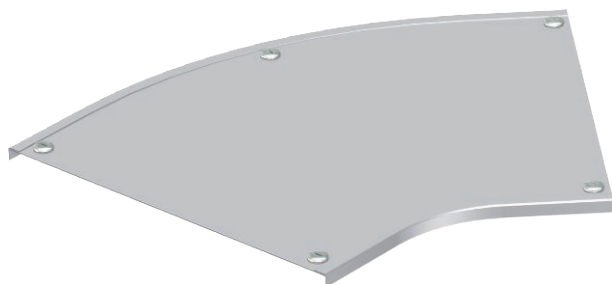


Technical data sheet

Cover for 45° bend

Item no. 7133979



Cover for 45° bend with pre-mounted turn buckle.



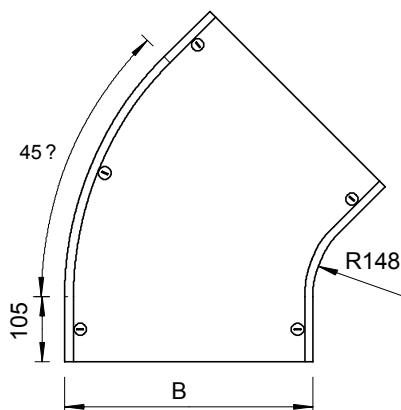
A2 Stainless steel, rustproof 1.4301
2B Bright, reworked

Additional product text, instruction
 The cover can be used with fittings of all side heights.

Master data

Item no.	7133979
Type	DFB 45 600 A2
Description 1	45° bend cover
Description 2	with sash locks, RB 45 600
Manufacturer	OBO
Dimension	B600mm
Material	Stainless steel, material no. 1.4301
Material symbol	A2
Surface	Bright, reworked
Surface symbol	2B
Smallest sales unit (VG)	1,00 Piece
Weight	372,30 kg/100 pc.

Technical data



Width	600,00 mm
Side height	35,00 mm
Dimension B	600,00 mm
Dimension H	15,00 mm
Dimension R	148,00 mm
Bend (angle)	45°
Number of turn buckles	5,00 pc.
Fastening type	Turn buckle
Plate thickness	1,25 mm
Suitable for cable tray	<input checked="" type="checkbox"/>
Suitable for mesh cable tray	<input type="checkbox"/>
Suitable for cable ladder	<input checked="" type="checkbox"/>
Suitable for maintaining electrical function	<input type="checkbox"/>
Change of direction	Horizontal
Rustproof steel, pickled	<input type="checkbox"/>
Hinged	<input type="checkbox"/>