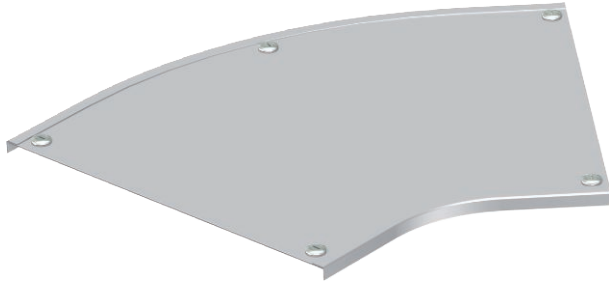


Technical data sheet

Cover for 45° bend

Item no. 7133944



Cover for 45° bend with pre-mounted turn buckle.



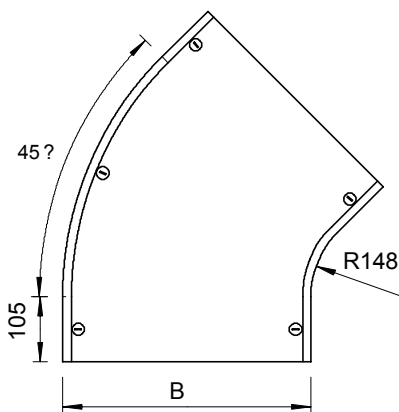
A2 Stainless steel, rustproof 1.4301
2B Bright, reworked

Additional product text, instruction | The cover can be used with fittings of all side heights.

Master data

Item no.	7133944
Type	DFB 45 400 A2
Description 1	45° bend cover
Description 2	with sash locks, RB 45 400
Manufacturer	OBO
Dimension	B400mm
Material	Stainless steel, material no. 1.4301
Material symbol	A2
Surface	Bright, reworked
Surface symbol	2B
Smallest sales unit (VG)	1,00 Piece
Weight	226,80 kg/100 pc.

Technical data



Width	400,00 mm
Side height	35,00 mm
Dimension B	400,00 mm
Dimension H	15,00 mm
Dimension R	148,00 mm
Bend (angle)	45°
Number of turn buckles	5,00 pc.
Fastening type	Turn buckle
Plate thickness	1,25 mm
Suitable for cable tray	<input checked="" type="checkbox"/>
Suitable for mesh cable tray	<input type="checkbox"/>
Suitable for cable ladder	<input checked="" type="checkbox"/>
Suitable for maintaining electrical function	<input type="checkbox"/>
Change of direction	Horizontal
Rustproof steel, pickled	<input type="checkbox"/>
Hinged	<input type="checkbox"/>