

Technical data sheet

Wall and support bracket AWG 15

Item no. 6420610



Light-duty wall and support bracket with welded head plate for screwless mesh cable tray fastening.

Fastening of the bracket to the U support of width 400 mm or greater using a hexagonal bolt through both sides of the support. Please insert suitable spacers.

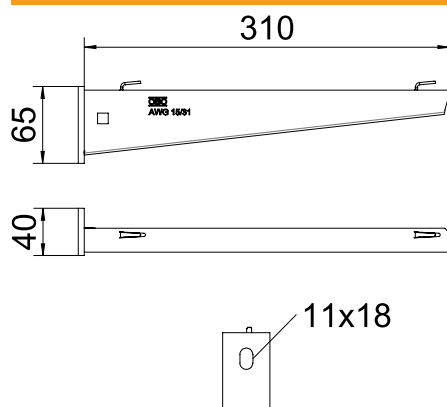


St	Steel
FT	Hot-dip galvanised

Master data

Item no.	6420610
Type	AW G 15 31 FT
Description 1	Wall and support bracket
Description 2	for mesh cable tray
Dimension	B310mm
Material	Steel
Material symbol	St
Surface	Hot-dip galvanised
Surface to DIN	DIN EN ISO 1461
Surface symbol	FT
Smallest sales unit (VG)	1 Piece
Weight	35,00 kg/100 pc.

Technical data



Width	310,00 mm
Side height	65,00 mm
Dimension A	40,00 mm
Dimension B	310,00 mm
Dimension H	65,00 mm
Dimension L	310,00 mm
Hole diameter	11,00 mm
Dimension value	310 x 65
Version	Wall and support brackets
Version	Wall and support bracket
F in kN	1,50 kN
for width	300,00 - 300,00 mm
Suitable for maintaining electrical function	<input type="checkbox"/>
Rustproof steel, pickled	<input type="checkbox"/>
Angle range	90,00 - 90,00 °

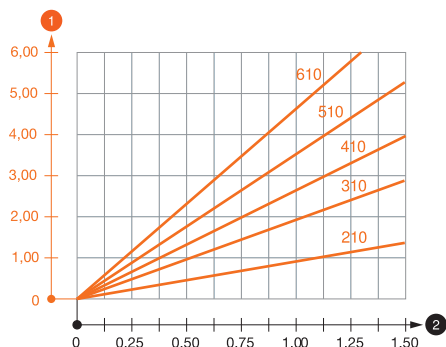
Technical data sheet

Wall and support bracket AWG 15

Item no. 6420610



Load charts



Load diagram, bracket type AW G 15

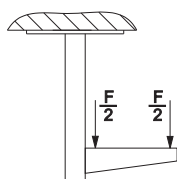
- 1 Bending of the bracket tip at permitted bracket load
- 2 Permitted bracket load in kN without man load
- Load curve with bracket lengths in mm

Characteristic anchor load values for wall and support bracket AW G 15

Wall fastening		Max. load F [kN]							
		Bracket width [mm]							
Anchor type		110	160	210	310	410	510	560	610
	BZ-U 8-10-21/75	1,10	0,90	0,80	0,65	0,55	0,50	0,45	0,45
	BZ-U 10-10-30/90	1,50	1,50	1,40	1,10	0,95	0,85	0,80	0,80

Max. total load F = cable weight + cable tray + bracket. The load capacity values increase considerably when used in uncracked concrete. The values given are based on concrete of strength class C20/25. Observe the installation conditions of the DIBt approval (anchors).

Load values for AWG 15 on support



Load values for AWG 15 on support

Characteristic anchor load values for wall and support bracket AW G 15

T1	Wall fastening									
T2		Max. load F [kN]								
T3		Bracket width [mm]								
T4	Anchor type	110	160	210	310	410	510	560	610	
	BZ-U 8-10-21/75	1,1	0,9	0,8	0,65	0,55	0,5	0,45	0,45	
	BZ-U 10-10-30/90	1,5	1,5	1,4	1,1	0,95	0,85	0,8	0,8	