

# Technical data sheet

## Wall and support bracket AWG 15

Item no. 6420608



Light-duty wall and support bracket with welded head plate for screwless mesh cable tray fastening.

Fastening of the bracket to the U support of width 400 mm or greater using a hexagonal bolt through both sides of the support. Please insert suitable spacers.

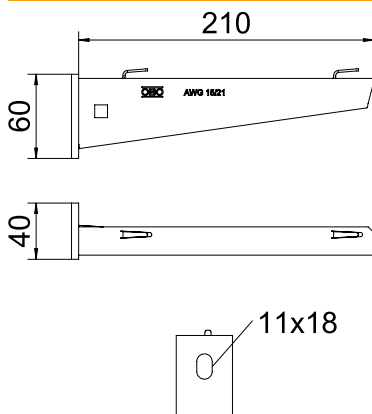


<b>St</b>	Steel
<b>FT</b>	Hot-dip galvanised

### Master data

Item no.	6420608
Type	AW G 15 21 FT
Description 1	Wall and support bracket
Description 2	for mesh cable tray
Dimension	B210mm
Material	Steel
Material symbol	St
Surface	Hot-dip galvanised
Surface to DIN	DIN EN ISO 1461
Surface symbol	FT
Smallest sales unit (VG)	1 Piece
Weight	26,00 kg/100 pc.

### Technical data



Width	210,00 mm
Side height	60,00 mm
Dimension A	40,00 mm
Dimension B	210,00 mm
Dimension H	60,00 mm
Dimension L	210,00 mm
Hole diameter	11,00 mm
Dimension value	210 x 60
Version	Wall and support brackets
Version	Wall and support bracket
F in kN	1,50 kN
for width	200,00 - 200,00 mm
Suitable for maintaining electrical function	<input type="checkbox"/>
Rustproof steel, pickled	<input type="checkbox"/>
Angle range	90,00 - 90,00 °

# Technical data sheet

## Wall and support bracket AWG 15

Item no. 6420608



### Load charts



### Load diagram, bracket type AW G 15

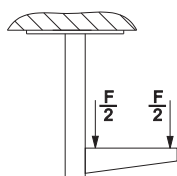
- ① Bending of the bracket tip at permitted bracket load
- ② Permitted bracket load in kN without man load
- Load curve with bracket lengths in mm

### Characteristic anchor load values for wall and support bracket AW G 15

Wall fastening		Max. load F [kN]							
		Bracket width [mm]							
Anchor type		110	160	210	310	410	510	560	610
	BZ-U 8-10-21/75	1,10	0,90	0,80	0,65	0,55	0,50	0,45	0,45
	BZ-U 10-10-30/90	1,50	1,50	1,40	1,10	0,95	0,85	0,80	0,80

Max. total load F = cable weight + cable tray + bracket. The load capacity values increase considerably when used in uncracked concrete. The values given are based on concrete of strength class C20/25. Observe the installation conditions of the DIBt approval (anchors).

### Load values for AWG 15 on support



### Load values for AWG 15 on support

### Characteristic anchor load values for wall and support bracket AW G 15

T1	Wall fastening									
T2		Max. load F [kN]								
T3		Bracket width [mm]								
T4	Anchor type	110	160	210	310	410	510	560	610	
	BZ-U 8-10-21/75	1,1	0,9	0,8	0,65	0,55	0,5	0,45	0,45	
	BZ-U 10-10-30/90	1,5	1,5	1,4	1,1	0,95	0,85	0,8	0,8	