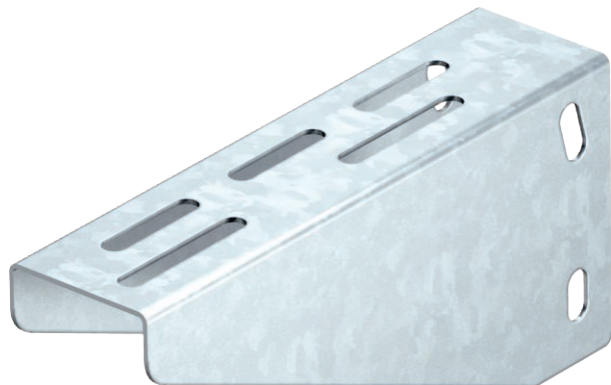


Technical data sheet

Support bracket ASU 15

Item no. 6344518



Support bracket for fastening on the U support, type USL 5.

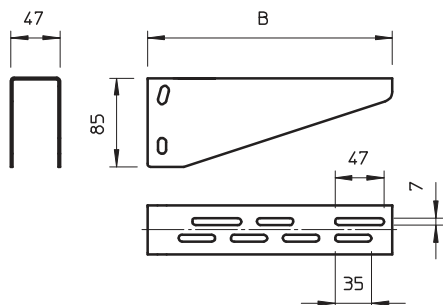


- St** Steel
- FS** Strip galvanised

Master data

Item no.	6344518
Type	ASU 15 30 FS
Description 1	Support bracket
Description 2	for fastening with splint
Dimension	B335mm
Material	Steel
Material symbol	St
Surface	Strip galvanised
Surface to DIN	DIN EN 10346
Surface symbol	FS
Smallest sales unit (VG)	20 Piece
Weight	78,50 kg/100 pc.

Technical data



Width	335,00 mm
Version	Support bracket
Version	Support bracket
Suitable for maintaining electrical function	<input type="checkbox"/>
Rustproof steel, pickled	<input type="checkbox"/>