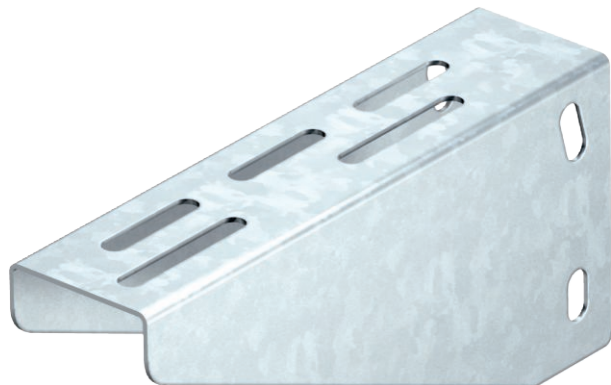


Technical data sheet

Support bracket ASU 15

Item no. 6344496



Support bracket for fastening on the U support, type USL 5.

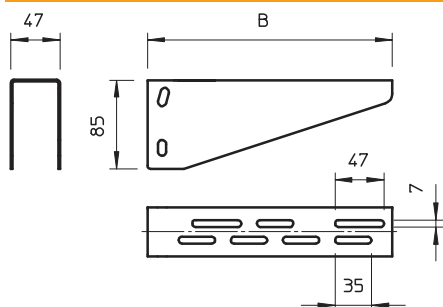


St	Steel
FS	Strip galvanised

Master data

Item no.	6344496
Type	ASU 15 20 FS
Description 1	Support bracket
Description 2	for fastening with splint
Dimension	B235mm
Material	Steel
Material symbol	St
Surface	Strip galvanised
Surface to DIN	DIN EN 10346
Surface symbol	FS
Smallest sales unit (VG)	25 Piece
Weight	40,60 kg/100 pc.

Technical data



Width	235,00 mm
Version	Support bracket
Version	Support bracket
Suitable for maintaining electrical function	<input type="checkbox"/>
Rustproof steel, pickled	<input type="checkbox"/>